

CEM-2

| | |
|---------------|--|
| Project Name: | |
| Type: | |



FEATURES:

- Injection-molded, engineering grade, 5VA flame retardant, high-impact resistant, thermoplastic in white or black housing.

MOUNTING:

- Universal knockout pattern on back plate for wall mount. Snaps into place making internal electrical connections.
- Knockout for conduit applications.

ELECTRICAL:

- 120/277V dual voltage operation standard.
- Charge rate/power "ON" LED indicator light and push-to-test switch for mandated code compliance testing.
- LVD (Low Voltage Disconnect) prevents battery from deep discharge.

LAMPS:

- Two fully adjustable, semi-recessed ultra bright, 7W, MR-16 halogen lamp heads standard.
- High performance MR16 halogen lamps with smooth metalized reflector and glass lens for optimal light distribution.

BATTERY:

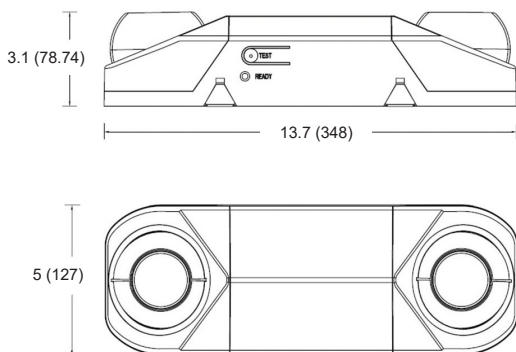
- 6V 4.5Ah, maintenance-free, rechargeable sealed lead acid battery on emergency (EM) units.
- Fully automatic solid-state, two-rate charger initiates battery charging to recharge a discharged battery in 24 hours.
- Internal solid-state transfer switch automatically connects the internal battery to LEDs for minimum 90 minute emergency illumination.

OPTION:

- PLED : 5W high performance MR-16 base LED lamps for premium center-to-center spacing.

LISTING:

- 5 years limited warranty on materials and all electronics. Battery pro-rated for two years.
- UL listed for damp locations (20°C to 40°C / 68°F to 104°F).
- Meets UL924, NFPA 101 Life Safety Code, NEC, OSHA, Local and State Codes.
- ARRA and BAA compliant (optional).
- NFPA 70 compliant.



Dimensions

- A: Housing Width: 13.7 (348)
- B: Housing Height: 3.1 (78.74)
- C: Housing Depth: 5 (127)

All dimensions are in inches (millimeters).



All-LED Illumination

ORDERING INFORMATION

EXAMPLE: CEM-2-WH

| MODEL | HOUSING COLOR | | OPTIONS |
|-------|---------------|--------------------------------|--|
| CEM-2 | WH BK | White Housing Black Housing | WG-1 Steel Wire Guard (13.5" x 15" x 6") BGR-1 Polycarbonate Vandal Shield Guard (7.5" x18" x 5") ARRA Assembled in USA for ARRA and BAA compliant PLED 5W High Lumen White LED lamps |