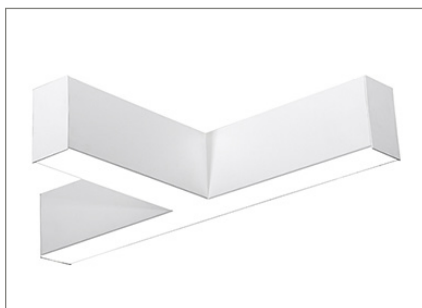


CUBE2-T

Project Name:	
Type:	



APPLICATION

The CUBE2-T creates a design statement for contemporary and traditional architectural interiors. The 90 degree luminaires are decorative and suitable for a multiple of applications like offices, retails, museums and galleries as well as high ceiling application such as lobbies.

FEATURE:

- Housing is formed by cold-rolled steel with a highly reflective die-formed white painted steel reflector.
- The snap-in acrylic lens has a matte finish and a diffuser (.125" thick) which is removable for lamp replacement.

MOUNTING:

- Pendant and drywall mount available.

LED:

- High quality array LEDs.
- LM80
- Color Temperature: 3000/3500/4000/5000 (K)
- Color Rendering Index: > 80 (optional > 90).
- Nominal Lamp Life: 100,000 hours.
- Reported L70 hours: +60,000 (55°C).

ELECTRICAL:

- High power factor electronic driver, operate from a 120 ~ 277 Vac input range, 50 / 60 Hz.
- Features included over voltage protection, surge, short circuit protection and over load protection.
- Power Factor: typical > 0.95, THD <20, meets Class1 or Class 2 circuit.
- 0-10V dimmable driver as standard.
- 0-10VDC dimming 1%~100%.
- Operating temperature: -4°F (-20°C) ~ 122°F (50°C).

<ELCU-200>

- Guarantees emergency lighting remains ON or is turned on when power to the control device is lost.
- Interfaces with fire alarm panel or security system.
- "Watchdog" feature allows emergency loads to be controlled in tandem with normal power loads.
- UL listed for use in emergency circuits.

FINISH:

- Standard powder-coat textured white painted finish on exposed trim, consult factory for custom colors.
- Comes with snap-in acrylic lens as standard.

LISTING:

- UL / CUL listed.
- Listed to UL 1598 and UL 8750.
- UL listed for dry & damp location.
- Assembled in USA (optional).
- BAA compliant (optional).
- 5 years limited warranty.
- 7 or 10 years limited warranty. (optional) ⁵
- Bluetooth Mesh System available, please contact factory for more information.

CONFIGURATIONS

Series	Model #	AC Input	Fixture Lumen Output (4000K)		Lumen Efficiency (4000K)
CUBE2-T	18L	14.85W	1921.29 lm (100% Down)	1921.29 lm	129.38 lm/W
	27L	22.27W	2461.50 lm (100% Down)	2461.50 lm	110.53 lm/W
	36L	29.7W	3182.95 lm (100% Down)	3182.95 lm	107.17 lm/W
	48L	37.35W	3977.77 lm (100% Down)	3977.77 lm	106.49 lm/W
	54L	43W	4556.28 lm (100% Down)	4556.28 lm	105.96 lm/W
	18L/18L	29.7W	1950.73 lm (57.6% Down) / 1435.96 lm (42.4% Up)	3386.69 lm	114.03 lm/W
	27L/18L	37.12W	2477.46 lm (63% Down) / 1455.03 lm (37% Up)	3932.49 lm	105.94 lm/W
	27L/27L	44.55W	2653.58 lm (57.6% Down) / 1953.32 lm (42.4% Up)	4606.91 lm	103.41 lm/W
	36L/18L	44.55W	3140.08 lm (65.5% Down) / 1653.94 lm (34.5% Up)	4794.02 lm	107.61 lm/W
	48L/18L	52.2W	3427.08 lm (64.6% Down) / 1878 lm (35.4% Up)	5305.08 lm	101.62 lm/W
	48L/27L	59.62W	3593.09 lm (59.3% Down) / 2466.09 lm (40.7% Up)	6059.18 lm	101.62 lm/W
	54L/18L	57.85W	4291 lm (73% Down) / 1587.1 lm (27% Up)	5878.1 lm	101.61 lm/W

CCT	Multiplier		
	3000K	3500K	5000K
Down only	0.9642	0.9822	1.0357
Up&Down	0.971	0.9856	1.029

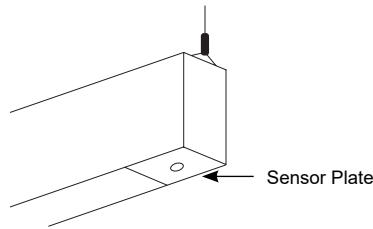
OUTPUT CURRENT

		Bi-Level		Tri-Level (Default)	
SW1	SW2	Config Range	Default	Config Range	Default
Close	Open	10% - 70%	40%	10% - 70%	30%
Open	Close	10% - 70%	40%	10% - 70%	70%
Close	Close	100%	100%	100%	100%
Open	Open	0%	0%	0%	0%

WEIGHT

Item	lbs	kg
CUBE2-T	10.45	4.74
CUBE2-T-FT	12.76	5.79

CUBE2-T



Lutron Vive Integral
fixture control installation



EasySense
fixture-mount installation

ORDERING INFORMATION


EXAMPLE: CUBE2-T-D27L-30K-UNV-X1-AC48


MODEL	SHAPE		LED Downlight (per/each section)		LED Uplight ¹ (per/each section)		Uplight DISTRIBUTION		COLOR TEMP.	
CUBE2-T	(Blank)	T shape individual unit	D18L	18W LED	/U18L /U27L	18W LED 27W LED	(Blank) UN15 UN30 UM UASY UBAT UPC	No optic Uplight Narrow 15° Uplight Narrow 30° Uplight Medium 60° Uplight Asymmetric 20° ²¹ Uplight Batwing 120° Non-optic clear cover	(Blank)	Leave blank if you wish to have different CCT for up and down, and fill out next section.
	CM	Custom pattern (must provide a sketch on the last page of this spec sheet)	D27L	27W LED						
			* Maximum wattage per each section - pendant : 56W(up & down light) - recessed mount : 40W(down light)						-35K	3500K
			* Contact factory for custom wattage or lumen requirement.						-40K	4000K
									-50K	5000K

SEPARATE COLOR TEMP. ¹		CRI		MOUNTING		VOLTAGE		EM SECTION		FITTURE FINISH ¹⁰	
(Blank)	Leave blank if you wish to have different CCT for up and down, and fill out next section. Indicate 27,30,35,40 or 50 for XX and YY (D represents Downlight, U represents Uplight).	(Blank)	80+ CRI	(Blank)	Pendant	UNV	120-277V	(Blank)	None EM	(Blank)	Matte White RAL #9003 (Std.) Black RAL #9011 Silver (RAL #9022) Custom Color ⁸ Anti-Microbial Coating (Matte Skye White)
DXXUYY		C9	90+ CRI ⁹	FT	Standard 1/2" Flange (drywall) ²	120	120V	1SE	1 Section	*BK	
						277	277V			*SV	
						347	347V ¹⁵			**CC	
										*AMB	
											* Non-standard finish with extra charge. ** Additional charge & set up fee.

CORD FINISH (for pendant)		CANOPY FINISH (for pendant)			CEILING TYPE (for pendant)		SUSPENSION LENGTH (for pendant)	
(Blank)	White (Std.)	(Blank)	White (Std.)	*BC Black Canopy *SC Silver Canopy **CSS Custom Canopy Color (White is Std.)	X1	15/16" grid T-bar ceiling	AC48	Adjustable Aircraft Cable Canopy 48"L
*BKC	Black				X2	Hard ceiling	AC96	Adjustable Aircraft Cable Canopy 96"L
					X3	Sloped Hard ceiling	ST24	Stem Canopy 24"L
					X4	9/16" T-bar ceiling	ST48	Stem Canopy 48"L
							* Contact factory for custom length.	

CUBE2-T

LED DRIVER		OPTIONS	
(Blank)	0-10V dim to 1% (Std.) (dim both uplight and downlight simultaneously)	STB	Slip Through Bracket ³
UDSD	Separate Dimming Control of Uplight and Downlight (0-10V dim to 1%) ^{7,14}	EM5MC	810 LUMEN Emergency Ballast (32°F (0°C) ~ 131°F (55°C))
SP	Separate Power Control for Uplight and Downlight	EM7MC	1134 LUMEN Emergency Ballast (32°F (0°C) ~ 122°F (50°C))
ES566	eldoLED SOLOdrive Natural Dimming to dark, 0-10V, 100% ~ 0.1% dim	EM10MC	1620 LUMEN Emergency Ballast (32°F (0°C) ~ 131°F (55°C))
SD40	40% / 100% Bi-Level Step dim	EMG25	4050 LUMEN EM Battery Backup (CEC Compliant EM) ^{19,20}
SDXX	XX% / 100% Bi-Level Step dim (Specify XX : 10% ~ 70%)	EMC	CEC compliant EM ⁴
PHSR	Philips Xitanium Sensor-Ready, Dali 5%~100% dim.	GTD	Bodine Generator Transfer Device
PHDL	Philips Xitanium DALI driver, Dim to 5%	GTD10DIM	Bodine Generator Transfer Device (0-10VDC Dimmer Override)
ED560	eldoLED LightShape DALI dim to dark, 0.1% ~ 100%	GLR	Fast Blow Fuse ¹⁶
TDM	Triac Dim. (120V only)	GMF	Slow Blow Fuse ¹⁶
TD30/70	30% / 70% / 100% Tri-Level Step dim	ARRA	Assembled in USA for Buy American Act
TDXX/YY	XX% / YY% / 100% Tri-Level Step dim (Specify XX, YY : 10% ~ 70%)	BAA	BAA(Buy American Act) and BABA(Build America Buy America) compliant
LDE1	Hi-lume 1% EcoSystem LED driver with Soft-on, Fade-to-Black dimming technology, 100% ~ 1% dim	O7W	Optional 7 Years Limited Warranty ⁵
ELV	ELV compatible (reverse-phase or trailing-edge), (120V only)	O10W	Optional 10 Years Limited Warranty ⁵
TRIOT	Tridonic IoT ready, 1-100% dim via Smart Module Interface (SMI), automated dimming/lighting controls via Enlighted Sensor Interface	AMS	Bluetooth Mesh Wireless Sensor. Occupancy/Daylight/0-10V Dimming
DTO	0-10V DIM-TO-OFF	DPMS	Daylight Dimming Photo Sensor (0-10 VDC Control), (LSR-301-S required if FD-301 is installed) ¹⁸
DMX	DMX512 control system (Only available with RGB+W option)	SO	Dimming Wires connected to Sensor Only (available option on FS-205 non-Bluetooth AMS sensor only) ⁶
DLM	Wattstopper's DLM interface (Only available with RGB+W option)	LSR-301-S	Setup Remote Control for DPMS (Required for DPMS)
LTEA2W	Hi-lume 1% 2-wire LED driver (120V forward phase only) ¹⁷	LSR-301-P	Occupant Remote Control for DPMS
 BLT	Bluetooth Mesh System (contact factory for more information)	E1F	End feed on one end (Pre-drilled hole for 1/2" fitting)
		E2F	End feed on both ends (Pre-drilled holes for 1/2" fitting)

LIGHTING CONTROL SYSTEM	
LUTRON VIVE	<p><Lutron Vive System Enabled></p>  Click Here!
SNS200	<EasySense>
RS-IR	EasySense Fixture-mount occupancy sensing, daylight harvesting and task tuning in one device (Must be ordered with PHSR driver) ^{11,12} IR dongle v2.0 for EasySense control
SU-5E	<Enlighted>
RS-WS	Enlighted IoT ready 0-10V Indoor Micro sensor with occupancy/vacancy detection, daylight harvesting, thermal sensing, task tuning, and room and zone control, Bluetooth enabled (Must be ordered with TRIOT) ¹³
	Enlighted Room controller providing basic control functions of a standard wall switch with preset dimming capability
IFS105SE	<Bluetooth>
PPA102S	Bluetooth Mesh Wireless Sensor. Occupancy/Daylight/0-10V Dimming Bluetooth Powerpack (Consult factory for installation location)

NOTES:

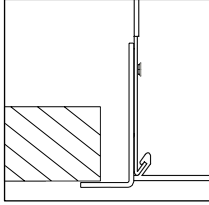
- Pendant only.
- Requires # STB as standard.
- Standard with "FT" mounting.
- Check with factory for more details.
- This limited warranty covers electrical parts only and does not apply to labor, equipment lease, or defect from improper installation or operation.
- Dimming wires provided and connected to sensor only, not for dimmer switch. (available with AMS and DPMS option)
- For separate dimming control, please be advised it may not be available when EM battery backup is added due to limited space. Please contact us for more information.
- Refer to color charts (RAL and/or Cardinal) in the separate attachment.
- Lumen per watt is around 15% less than standard CRI (80+).
- Cord is available in white or black. (Black is not available for the EM option)
- See NFC and IR manual in the separate attachment. If your phone is not compatible, please order "RS-IR" and follow the manual.
- Refer to Advanced Grouping Datasheet for its default setting and compatible wireless switches.
- "RS-WS" option can be added if wish to have a wall switch, please see Enlighted Room Controller in the separate attachment.
- Can have up to 2 power feeds depending on the configuration.
- 347V cannot work with Emergency Battery Backup.
- Must specify voltage, not available with 347V.
- Not available with any 1ft individual configuration due to space limitations.
- Automatic on/off is not available. For automatic on/off, additional occupancy sensor is required or a manual on/off switch can be done.
- Contact factory for other emergency ballast options.
- For 3ft configuration, EM can only be remote mounted. Remote box is provided by others.
- Standard optic illuminates the wall. Optics can be field modified (reversed) to illuminate room.

CUBE2-T

- INACCESSIBLE CEILING MOUNTING

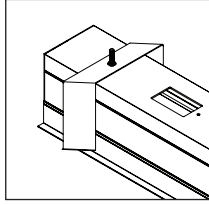
- SPECIALTY MOUNTS

Flange Detail



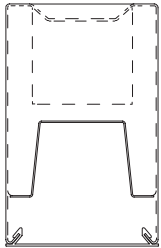
Exposed Flange Detail:
Specify FT in part #

Rotating Crossbar

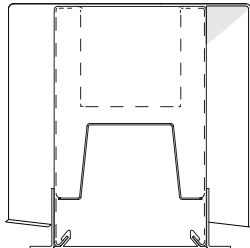


Unavailable Structure Support:
Specify STB in part #

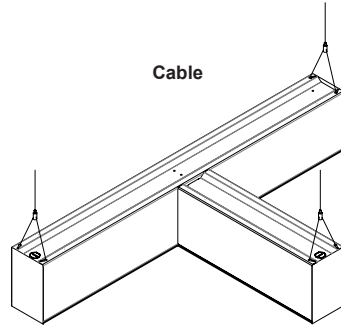
Surface



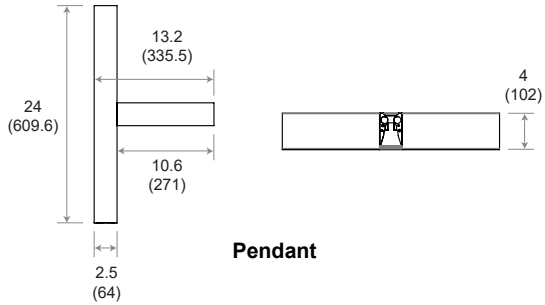
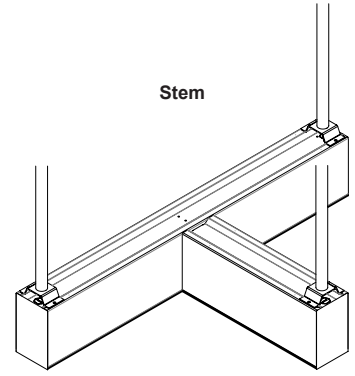
Drywall



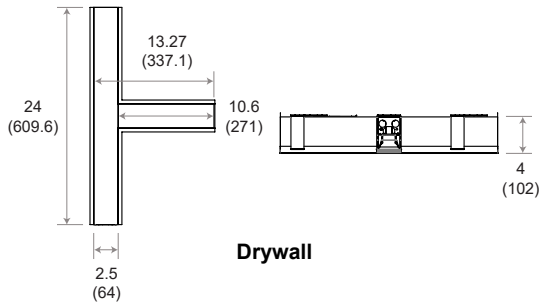
Cable



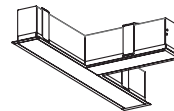
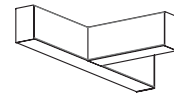
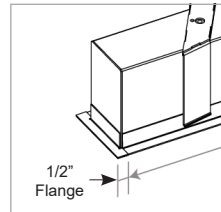
Stem



Pendant



Drywall



All dimensions are in inches (millimeters).

* Dimensions shown are without flange.

CUBE2-T

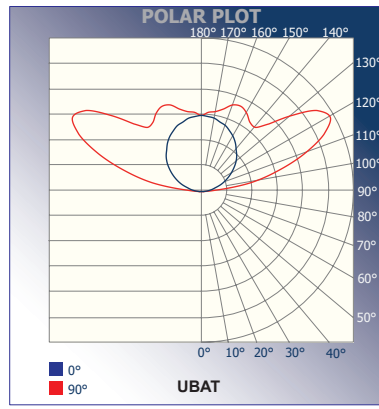
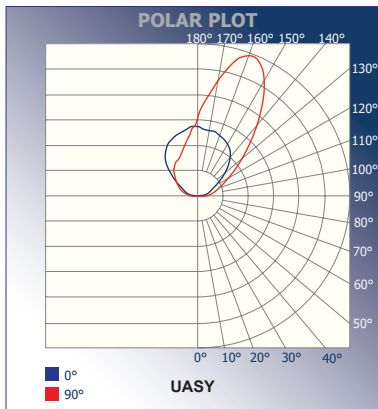
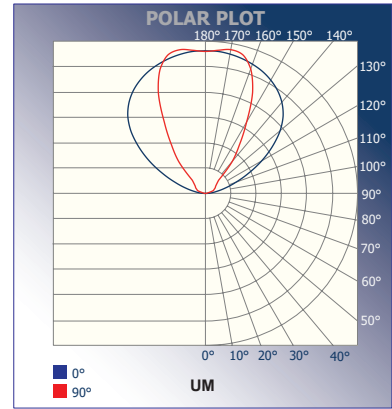
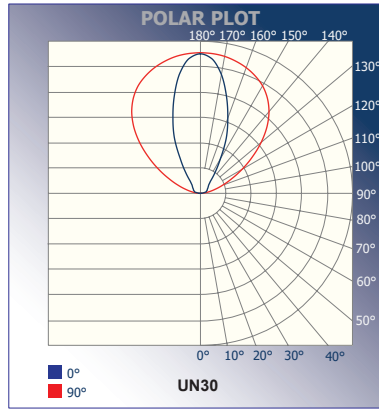
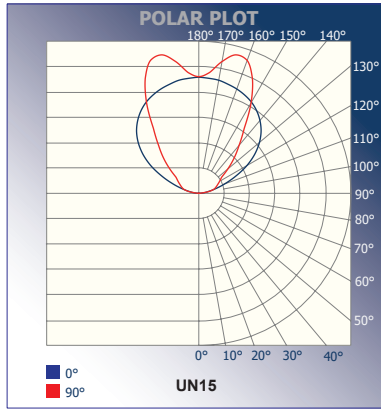
COMPATIBLE DIMMER SWITCH (TABLE 1)

Model #	Brand	Compatible Dimmer Switch	
(Blank)	-	<Leviton>	IP710-LFZ
		<Lutron>	Nova: NFTV-dimmer plus PP-DV relay pack(s) Nova T: NTSTV-DV-dimmer Diva: DVTV-dimmer, DVSCSTV-dimmer, plus PP-DV, relay pack(s), DVSTV-dimmer, DVSCSTV-dimmer GRAFIK Eye QS: QSGRJ-XP, plus GRX-TVI 0-10V interface GRAFIK Eye QS w/EcoSystem: QSGRJ-XE, QSGR-XE, plus GRX-TVI 0-10V interface PowPak: RMJ-5T
ES566	eldoLED SOLOdrive	<Busch-Jaeger>	2112U-101
		<Jung>	240-10
		<Leviton>	IlumaTech - IP710-DLX
		<Lightoller Controls>	ZP600FAM120
		<Merten>	5729
		<Pass & Seymour>	CD4FB-W
		<Wattstopper>	DCLV1
		<Sensor Switch>	nIO EZ
		<Synergy>	ISD BC
		<ABB>	SD/S 2.16.1
		<Lutron>	Nova T: NTFTV Diva - DVTV-xx, NFTV GRAFIK Eye: GRX-TVI w GRX3503 Energy Savr Node: QSN-4T16-S TVM2 Module
<Crestron>	GLX-DIMFLV8, GLXP-DIMFLV8, GLPAC-DIMFLV4-*, GLPAC-DIMFLV8-*, GLPP-DIMFLVEX-PM, GLPP-1DIMFLV2EX-PM, GLPP-1DIMFLV3EX-PM, DIN-A08, DIN-4DIMFLV4, CLS-EXP-DIMFLV, CLCI-1DIMFLV2EX		
ED560	eldoLED DUALdrive	<Lunatone>	SS-LUNAT PS2 30mA SS-LUNAT Touch or BT SS-LUNAT Comm
LDE1	Lutron 5-Series EcoSystem	<Lutron>	PowPak Dimming Modules: RMJ-ECO32-DV-B, FCJ/FCJS-ECO ^{1,2} Energi Savr Node (120V only): QSN-1ECO-S, QSN-2ECO-S GRAFIK Eye QS/Homeworks QS control unit (120V only): QSGRJ- E(wireless) QSGR- E Quantum Hub (120V only): QP2- _2C/4C/6C/8C Homeworks QS/myRoom Plus power module (120V only): LQSE-2ECO-D
PHSR ³	Philips Xitanium Sensor-Ready	<Ilumra>	<u>Single Rocker Self-Powered Light Switch (on/off, dim-up/down)</u> Ilumra# ZBT-S1AWH Digi-Key# 1082-1033-ND <u>Dual Rocker Self-Powered Light Switch (on/off, dim-up/down, scene1,2)</u> Ilumra# ZBT-S2AWH Digi-Key# 1082-1034-ND
TDM	KEYSTONE	<Lutron>	Diva DV-600P, SkyLark S-600P, Ariadni AY-600P, Ariadni TG-603P, Maestro MA-600 (Digital), Diva CFL/LED DVCL-153P, Satin Colors DVSC-600P-SW
		<Leviton>	6641, IlumaTech IP106-1LX, ToggleTouch TGI06-1LW (Digital)
ELV	KEYSTONE	<Lutron>	MAELV-600BL (Digital), DVELV-300P, SkyLark SELV-300P
DTO	Philips Xitanium Gen.2 Philips Xitanium Sensor-Ready	<Lutron>	Nova T: #NTSTV-DV http://www.lutron.com/TechnicalDocumentLibrary/NovaTB.pdf See page13.
LTEA2W	Lutron Hi-lume 2-wire (120V forward voltage only)	<Lutron>	Visit http://www.lutron.com/TechnicalDocumentLibrary/369543_ENG.pdf for a list of compatible dimmer switches.

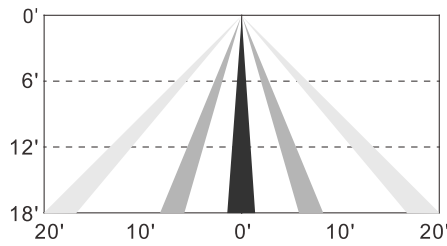
NOTES:

- All devices connected to one FCJ/FCJS-ECO will be controlled together. Devices will dim to the same level as the result of a control command.
For more detail on adjusting low-end light level refer to Application Note#556 at www.lutron.com.
- For the Line/Hot (L/H) terminal on the driver, it is preferred not to use the switched hot (red) wire from the control but rather the hot wire directly from the power source.
- Recommended for EasySense System.

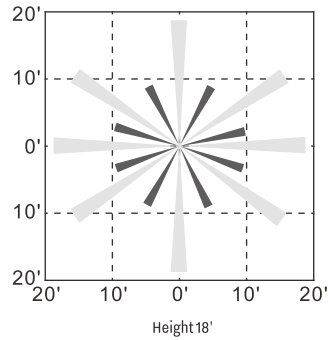
CUBE2-T



SIDE VIEW



TOP VIEW



AMS, IFS105SE coverage pattern

ARCHITECTURAL DESIGN

CUBE2-T LIT CONNECTOR PATTERNS

The lit connector system allows continuous illumination all the way through the corner section.

Instruction:

- Please provide sketches illustrating corner types, overall dimensions including corner dimensions, and locations required.
- HC90, TC, and XC connectors are 90 degree corners (overall, outside dimension).

