

# LRC-2G

Project Name:	
Type:	



### APPLICATION

The LED canopy light mounts quickly to a variety of surfaces making it ideal for covered walkways, parking structures, storage areas, entryway, low level security, and etc.

### FEATURES:

- Sealed one piece die-casting profile for indoor and outdoor applications.
- White finish is standard.
- Type VS IES light distribution.

### MOUNTING:

- Surface mount is standard.
- Pendant mounting with 3/4" threaded hub. (stem pipe is provided by others).
- Suitable for junction box mounting.

### LENS:

- Polycarbonate frosted lens.

### LED:

- Lumileds LED.
- Color temperature: 4000/5000K
- Lumen efficacy: >110lm/W
- Color rendering index: >70
- Life span: 50,000 hrs.

### ELECTRICAL:

- Input voltage: 120-277VAC, 50-60Hz
- Operating temperature: -40°C to 45°C (-40°F to 113°F)
- 0-10V dimming is standard.
- Optional Bi-level Occupancy sensor.

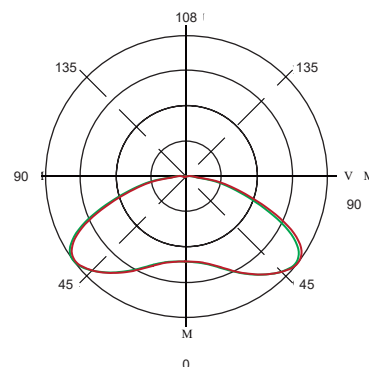
### LISTING:

- UL/cUL listed.
- Listed to UL 1598 and UL 8750.
- DLC listed.
- Suitable for wet location.
- 5 years warranty.
- ARRA compliant. (optional)

### CONFIGURATIONS

Series	Input Wattage	Lumen Output (4000K)	Lumen Efficiency (4000K)	Lumen Output (5000K)	Lumen Efficiency (5000K)
LRC-2G	30LED	4000 lm	133 lm/W	4000 lm	133 lm/W
	45LED	5700 lm	127 lm/W	5700 lm	127 lm/W
	60LED	7500 lm	125 lm/W	7500 lm	125 lm/W

Frosted Lens (Parking Garage)



### ORDERING INFORMATION

EXAMPLE: LRC-2G-45LED-50K-UNV

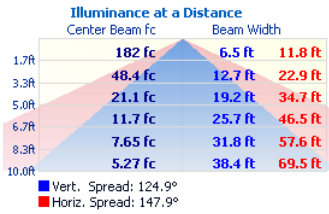
MODEL	LED	COLOR TEMP.	VOLTAGE	FINISH	SENSOR
LRC-2G	30LED 45LED 60LED	-40K 4000K -50K 5000K (Std.)	UNV 120-277V	WH White RAL#9016 (Std.) *BZ Dark Bronze RAL#8019 *BK Black RAL#9011 *GR Gray RAL#7045 **CC Custom Color  <small>* Non-standard finish with extra charge. ** Additional charge &amp; set up fee.</small>	(Blank) BRI RC-101 No sensor Bi-level occupancy sensor with daylight, 0-10V, adjustable via DIP switch Remote control for the BRI sensor.

LED DRIVER	LENS	OPTIONS
DM 0-10V dimming (Std)	PG Frosted Lens	EMG8W ARRA Wet location suitable, 1296 LUMEN EM Battery Backup (CEC Compliant EM) Assembled in USA for Buy American act

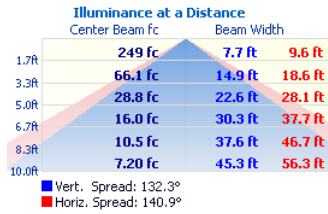
LIGHTING CONTROL SYSTEM	
PPA102S	<Bluetooth> Bluetooth Powerpack (Consult factory for installation location)

# LRC-2G

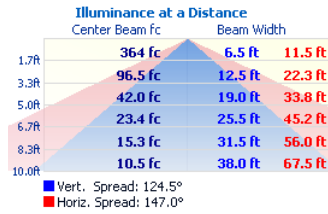
## LRC-2G-30LED



## LRC-2G-45LED

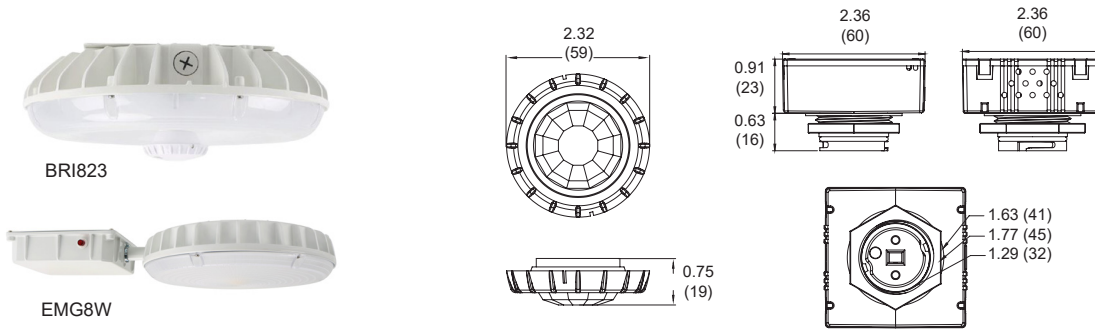


## LRC-2G-60LED

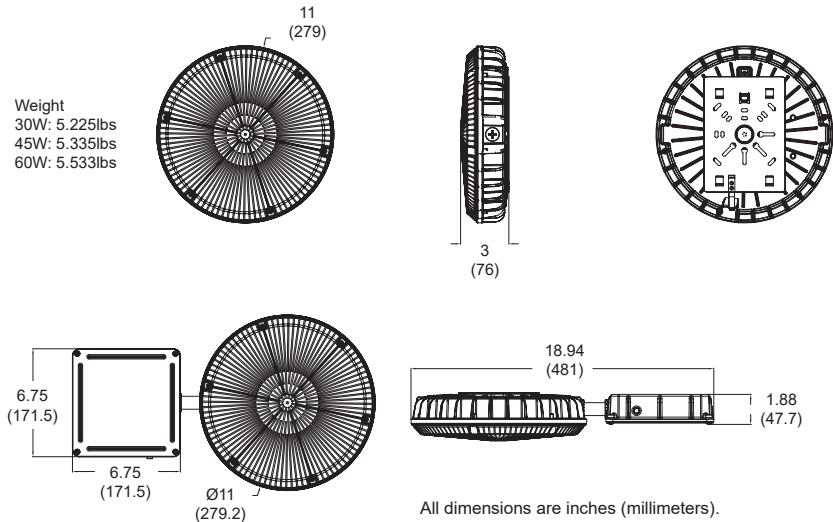


### SENSOR SPECIFICATIONS

Detection angle	360°
Detection zone	Max. coverage 60' diameter from 40' height
High mode	0-10V/ default 10V
Low mode	Off / 0-9.8V / default 1V
Operating temperature	-40°F ~ 158°F (-40°C ~ 70°C)
Operating Humidity	20-90%



All dimensions are inches (millimeters).



All dimensions are inches (millimeters).