

VR8 LED

Project Name:	
Type:	



APPLICATION

The heavy-duty turret industrial channel is a strip with reflectors to focus the majority or all of the illumination downward. The series incorporate sturdy reflectors that precisely direct and effectively control light. It is a durable, efficient solution for both task and general lighting needs. Its functionality and economy make it an ideal choice for large storage areas, institutions, industrial and retail applications.

FEATURES:

- Heavy-duty design for demanding industrial environments.
- Die-formed CRS housing with rolled symmetric reflector and driver cover.
- Die-formed steel reflectors, painted white.
- Knock-outs for versatile configuration and simple mounting.
- Easily assembled with snap together components and no extra tools required.
- Acrylic diffuser.
- Finish in highly reflective post painted finish.
- Optional wire guards with snap-on clips available.
- Paint after fabrication.

MOUNTING:

- For surface, pendant, chain, swivel stem, unit or row installation.
- For mounting heights up to 25' that require high light levels.

LED:

- High quality array LEDs.
- Color Temperature: 3000/3500/4000/5000 (K)
- Color Rendering Index: > 82.8 (optional >90).
- Calculated L70: 122,000 hours
- Reported L70: +60,000 hours

ELECTRICAL:

- High power factor electronic driver, operate from a 120 ~ 277 Vac input range, 50 / 60 Hz.
- Features included over voltage protection, surge, short circuit protection and over load protection.
- Power Factor: typical > 0.95, THD <20, meets Class1 or Class2 circuit.
- Philips Xitanium: 0-10V Dim to 1%(PH).
- Osram Optotronic: 0-10V Dim to 1%(OS1) or 10%(OS).
- Generic : 0-10V 10% dim. (GR)
- Operating temperature: -4°F (-20°C) ~ 122°F (50°C).

<ELCU-200>

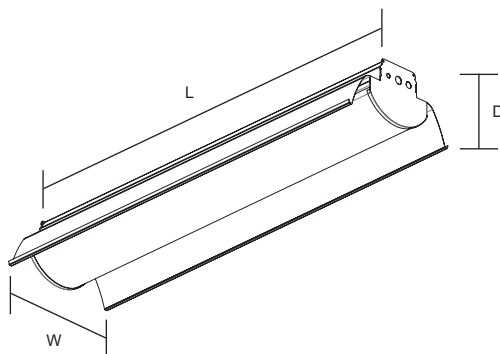
- Guarantees emergency lighting remains ON or is turned on when power to the control device is lost.
- Interfaces with fire alarm panel or security system.
- "Watchdog" feature allows emergency loads to be controlled in tandem with normal power loads.
- UL listed for use in emergency circuits.

LISTING:

- UL/CUL listed.
- DLC listed. ¹²
- Listed to UL 1598 and UL 8750.
- Suitable for damp locations.
- Optional ARRA compliant.
- 5 years warranty.
- 7 or 10 years limited warranty. (optional) ⁶
- Bluetooth Mesh System available, please contact factory for more information.

CONFIGURATIONS

Series	Size	Model#	AC Input	Lumen Output	Lumen Efficiency
VR8	4FT	25LED	25W	3386.5 lm	135.46 lm/W
		36LED	36W	4876.6 lm	
		45LED	45W	6095.7 lm	
		54LED	54W	7314.8 lm	
		72LED	72W	9753.1 lm	



Specifications: VR8


Length: 48 (1219)
 Width: 14-5/8 (371)
 Depth: 7 (178)


All dimensions are in inches (millimeters).

VR8 LED

ORDERING INFORMATION

EXAMPLE: VR8-4-45LED-50K-UNV

MODEL	LENGTH	LED	COLOR TEMP.	EFFICACY	CRI	REFLECTOR
VR8	4 4' Length	25LED 25W LED 36LED 36W LED 45LED 45W LED 54LED 54W LED 72LED 72W LED	-30K 3000K -35K 3500K -40K 4000K (Std.) -50K 5000K	(Blank) Standard HE High Efficacy 	(Blank) 80+ CRI C9 90+ CRI	(Blank) Solid Top Reflector

VOLTAGE	MOUNTING	LED DRIVER
UNV 120-277V 120 120V 277 277V 347 347V	(Blank) Ceiling Surface Mount SH-1/2-xx 1/2" IPS STEM w/ Canopy (*xx = 18, 24, 36, 48 inches)	GR Generic, 0-10V 10% dim (Std.) ⁷ DM1 Generic 0-10V 1% dim PH Philips Xitanium, 0-10V 1% dim ⁷ OS Osram Optotronic, 0-10V 10% dim ⁷ OS1 Osram Optotronic, 0-10V 1% dim ⁷ SD40 40% / 100% Bi-Level Step dim (PH only) SDXX XX% / 100% Bi-Level Step dim (Specify XX : 10% ~ 70%) (PH only) TDM Triac Dim. (120V only) TD30/70 30% / 70% / 100% Tri-Level Step dim (PH only) TDXX/YY XX% / YY% / 100% Tri-Level Step dim (Specify XX, YY : 10% ~ 70%) (PH only) LTEA2W Hi-lume 1% 2-wire LED driver (120V forward phase only)
		ES566 eldoLED SOLOdrive Natural Dimming to dark, 0-10V, 100% ~ 0.1% dim LDE1 Hi-lume 1% EcoSystem LED driver with Soft-on, Fade-to-Black dimming technology, 100% ~ 1% dim ELV ELV compatible (reverse-phase or trailing-edge), (120V only) PHSR Philips Xitanium Sensor-Ready, Dalí 5%~100% dim PHDL Philips Xitanium DALI driver, Dim to 5% TRIoT Tridonic IoT ready, 1-100% dim via Smart Module Interface (SMI), automated dimming/lighting controls via Enlighted Sensor Interface ED560 eldoLED LightShape DALI dim to dark, 0.1% ~ 100% MU050 0-10V dual channel, 0.1% ~ 100% ND Driver prewired for non-dimming applications  BLT Bluetooth Mesh System (contact factory for more information)

OPTIONS		
EMG8 1296 LUMEN EM Battery Backup (CEC Compliant EM) ^{2,8} EMG15 2430 LUMEN EM Battery Backup (CEC Compliant EM) ^{2,8} EMG20 3240 LUMEN EM Battery Backup (CEC Compliant EM) ² EMG25 4050 LUMEN EM Battery Backup (CEC Compliant EM) ^{2,8} EMSD Self-Diagnostic Emergency Battery ^{1,2} GTD Bodine Generator Transfer Device GTD10DIM Bodine Generator Transfer Device (0-10VDC Dimmer Override) GLR Fast Blow Fuse ³ WGT Wireguard SSH Swivel Stem Hanger ⁴ CH Chain Hanger ^{4,5}	O7W Optional 7 Years Limited Warranty ⁶ O10W Optional 10 Years Limited Warranty ⁶ ELCU-200 Fail-to-on Emergency lighting, UL924 ⁹ DPMS Daylight Dimming Photosensor (0-10 VDC Control) ⁴ AMS Bluetooth Mesh Wireless Sensor. Occupancy/Daylight/0-10V Dimming ⁴ LSR-301-S Setup Remote Control for DPMS LSR-301-P Occupant Remote Control for DPMS MS Motion Sensor ARRA Assembled in USA for Buy American Act AMB Anti-Microbial Coating (Matte Skye White) HT High Temperature (-31°F (-35°C) ~ 140°F (60°C)) HC403 Microwave bi-level Occupancy Sensor, adjustable via DIP switch ¹¹	

LIGHTING CONTROL SYSTEM	
PPA102S	<Bluetooth> Bluetooth Powerpack (Consult factory for installation location)

NOTES:

- Emergency Ballast options, specify voltage.
- Check with factory for more details. Must specify voltage, not available with 347V.
- Must specify voltage, not available with 347V.
- Standard length 24", specify length in inches. (24, 36, 48, 60, 72, 96"L)
- Chain hangers come with V hook.
- This limited warranty covers electrical parts only and does not apply to labor, equipment lease, or defect from improper installation or operation. (EM battery backup not included)
- To find an approved dimmer switch, please see table 1.
- For 2' length, only EMG5 and EMG8 are available.
- Shipped separately.
- Not available with Non Lens option (NLE).
- See Table2 to find factory setting.
- DesignLights Consortium® (DLC) qualified product. Not all versions of this product may be DLC qualified. Please check the DLC Qualified Products List at www.designlights.org/QPL to confirm which versions are qualified.

VR8 LED

COMPATIBLE DIMMER SWITCH (TABLE 1)

Model #	Brand	Compatible Dimmer Switch	
PH	Philips Xitanium	<Leviton>	IP710-LFZ
		<Lutron>	Nova: NFTV-dimmer plus PP-DV relay pack(s) Nova T: NTSTV-DV-dimmer Diva: DVTV-dimmer, DVSCTV-dimmer, plus PP-DV, relay pack(s), DVSTV-dimmer, DVSCSTV-dimmer GRAFIK Eye QS: QSGRJ-XP, plus GRX-TVI 0-10V interface GRAFIK Eye QS w/EcoSystem: QSGRJ-XE, QSGR-XE, plus GRX-TVI 0-10V interface PowPak: RMJ-5T
OS, OS1	Osram Optotronic	<Osram>	ZBHA-CLM DIM (NAMED: 45678), 45561 - LC-SL3W-TVWBX/UNV
		<Encelium EMS>	EN-LCM-1R10V-GB2-BK, EN-LCM-1R10V-GB2-BK/DR, EN-ALC-1R10V-GB2-BK, EN-ALC-1R10V-GB2-BK-DR
		<Leviton>	IP710-DLX
		<Lutron>	DVTV-XX
		<Wattstopper>	ADF-120277, FD-301, FSP-202
ES566	eldoLED SOLOdrive	<Synergy>	ISD BC
		<Busch-Jaeger>	2112U-101
		<Jung>	240-10
		<Leviton>	IlumaTech - IP710-DLX
		<Lightoller Controls>	ZP600FAM120
		<Merten>	5729
		<Pass & Seymour>	CD4FB-W
		<Wattstopper>	DCLV1
		<Sensor Switch>	nIO EZ
		<Synergy>	ISD BC
		<ABB>	SD/S 2.16.1
		<Lutron>	Nova T: NTFTV Diva - DVTV-xx, NFTV GRAFIK Eye: GRX-TVI w GRX3503 Energy Savr Node: QSN-4T16-S TVM2 Module
		<Crestron>	GLX-DIMFLV8, GLXP-DIMFLV8, GLPAC-DIMFLV4-*, GLPAC-DIMFLV8-*, GLPP-DIMFLVEX-PM, GLPP-1DIMFLV2EX-PM, GLPP-1DIMFLV3EX-PM, DIN-AO8, DIN-4DIMFLV4, CLS-EXP-DIMFLV, CLCI-1DIMFLV2EX
LDE1	Lutron 5-Series EcoSystem	<Lutron>	PowPak Dimming Modules: RMJ-ECO32-DV-B, FCJ/FCJS-ECO 1,2 Energi Savr Node (120V only): QSN-1ECO-S, QSN-2ECO-S GRAFIK Eye QS/Homeworks QS control unit (120V only): QSGRJ-_E(wireless) QSGR-_E Quantum Hub (120V only): QP2-_2C/4C/6C/8C Homeworks QS/myRoom Plus power module (120V only): LQSE-2ECO-D
MU050	Moons Intelligent Indoor	<Lutron>	Diva - DVTV-xx, DVSTV-xx
PHSR 3	Philips Xitanium Sensor-Ready	<Lutron>	Single Rocker Self-Powered Light Switch (on/off, dim-up/down) Ilumra# ZBT-S1AWH Digi-Key# 1082-1033-ND
		<Ilumra>	Dual Rocker Self-Powered Light Switch (on/off, dim-up/down, scene1,2) Ilumra# ZBT-S2AWH Digi-Key# 1082-1034-ND
TDM	KEYSTONE	<Lutron>	Diva DV-600P, SkyLark S-600P, Ariadni AY-600P, Ariadni TG-603P, Maestro MA-600 (Digital), Diva CFL/LED DVCL-153P, Satin Colors DVSC-600P-SW
		<Leviton>	6641, IlumaTech IPI06-1LX, ToggleTouch TGI06-1LW (Digital)
ELV	KEYSTONE	<Lutron>	MAELV-600BL (Digital), DVELV-300P, SkyLark SELV-300P
LTEA2W	Lutron Hi-lume 2-wire (120V forward voltage only)	<Lutron>	Visit http://www.lutron.com/TechnicalDocumentLibrary/369543_ENG.pdf for a list of compatible dimmer switches.

NOTES:

- All devices connected to one FCJ/FCJS-ECO will be controlled together. Devices will dim to the same level as the result of a control command. For more detail on adjusting low-end light level refer to Application Note#556 at www.lutron.com.
- For the Line/Hot (L/H) terminal on the driver, it is preferred not to use the switched hot (red) wire from the control but rather the hot wire directly from the power source.
- Recommended for EasySense System.

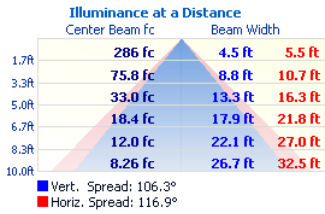
HC403 FACTORY SETTING (TABLE 2)

Detection Area	100%
Hold-time	5 sec
Daylight sensor	Disable
Stand-by period (tri-level control)	10 sec
Stand-by dimming level	10%

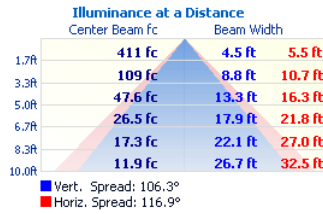
* See a separate attachment to find more setting options.

VR8 LED

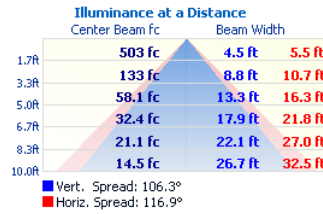
VR8-25LED



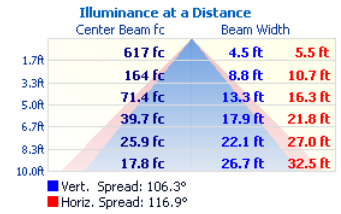
VR8-36LED



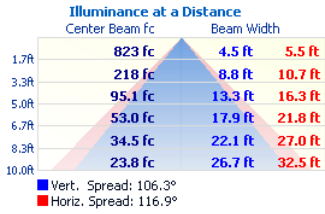
VR8-44LED



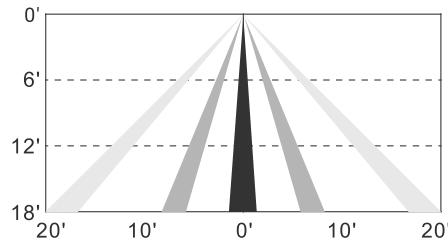
VR8-54LED



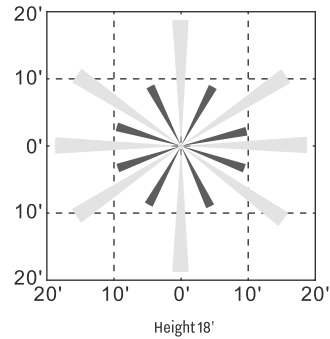
VR8-72LED



SIDE VIEW



TOP VIEW



AMS coverage pattern