

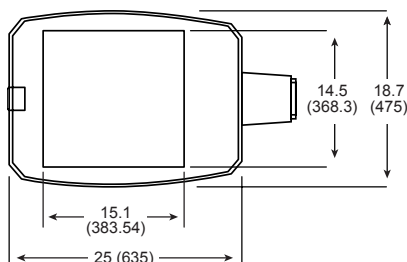
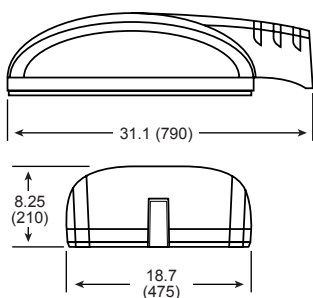
ARL1

DISCONTINUED



APPLICATION

Architectural area lighting, heavy duty die-cast aluminum housing, slim and sweeping-curve design provides low wind resistance. Segmented aluminum design reflector for the best light efficiency. Use on walkways, parking areas and street lighting.



Specifications: ARL1

EPA: 1.4 sq. ft.
 Height: 8.25" (209.6)
 Width: 18.7" (475)
 Length: 31.1" (790)
 Weights: 41 Lbs.
 All dimensions are in inches (millimeters).

FEATURES:

- Two pieces precise heavy duty die-cast aluminum housing and door frame.
- Housing is dark bronze polyester powder paint finish standard. Also available in other finish.
- Fully sealed with silicone foam gasket to prevent any leakage from the outside.
- Heat and impact resistant tempered glass lens.
- Segmented aluminum design reflector.
- Complete stainless steel external hardware.
- Removable door assembly for easy maintenance door latch system. Air craft cable for extra safety system.
- EPA: 1.4 sq. ft.

MOUNTING:

- Provided aluminum arm for square pole mounting. Wall mount bracket available.

LAMP:

- Horizontally oriented, mogul base, porcelain socket with screw shell and center contact. (100W and 150W are medium base)
- Lamp included.

ELECTRICAL:

- MH ballasts are standard high power factor ballast with ambient operating temperature of -20°F (-30°C) to 108°F (90°C); 180°C insulation system.
- HPS ballasts are standard high power factor ballast with ambient operating temperature of -40°F (-40°C); 180°C insulation system.

LISTING:

- UL/CUL listed.
- Suitable for wet location.
- ARRA compliant.

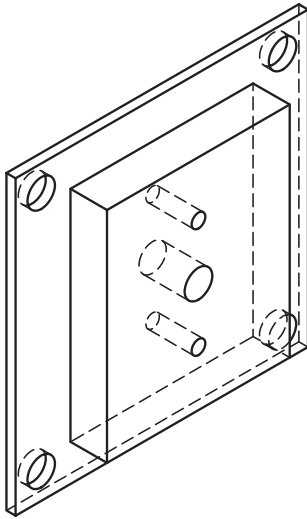
ORDERING INFORMATION

EXAMPLE: ARL1-M250-T2-QT-BZ-WM

MODEL		LAMP TYPE		BALLAST		DISTRIBUTION					
ARL1	M100	100W Metal Halide	(Blank)	Standard	T2	Type II					
	M150	150W Metal Halide						PS	Pulse Start MH ¹	T3	Type III
	M175	175W Metal Halide						SCWA	Super CWA		
	M250	250W Metal Halide						Pulse Start Ballast ²	T4	Type IV	
	M400	400W Metal Halide									
	H100	100W High Pressure Sodium	(Blank)	Standard Arm	T5	Type V (Std.)					
	H150	150W High Pressure Sodium						WM1	Wall Mount		
	H250	250W High Pressure Sodium									
	H400	400W High Pressure Sodium									
	VOLTAGE		FINISH		MOUNTING					OPTIONS	
120	120V	BZ	Dark Bronze (Std.)	(Blank)	Standard Arm	F1	Single Fuse (120, 277 or 347V only) ³				
208	208V							WM1	Wall Mount	F2	Double Fuse (208, 240 or 480V only) ³
240	240V	Available custom color (RAL) Please provide us with the RAL number.	F1	Single Fuse (120, 277 or 347V only) ³							
277	277V				F2	Double Fuse (208, 240 or 480V only) ³					
347	347V						PC1	With Photocell - Button Type 120V			
480	480V								PC2	With Photocell - Button Type 277V	
QT	120/208 /240/277V	QR	Quartz Restrike System ⁴								

NOTES:
 1. Pulse start metal halide available on 100, 150, 175, 250 and 400W only.
 2. Super CWA available on 100, 150, 175, 250 and 400W only.
 3. Must specify voltage.
 4. 120V or 277V only.

ARL1



[WM1]

