

ARL4



APPLICATION

Architectural area lighting, 22" square heavy duty die-cast aluminum housing, arm mount and vertical lamp unit. Segmented aluminum design reflector for the best light efficiency. Use on walkways, parking areas and street lighting.

FEATURES:

- Heavy duty die-cast aluminum housing and door frame.
- Housing is dark bronze polyester powder paint finish standard. Also available in other finish.
- Fully sealed with silicone foam gasket to prevent any leakage from the outside.
- Anodized spun aluminum reflector provides the optimum lighting solution.
- Heat and impact resistant tempered flat glass lens (400W max.) or convex glass lens. (1000W max.)

MOUNTING:

- Provided aluminum arm for square pole mounting.

LAMP:

- Vertically oriented, HID mogul base, porcelain socket with screw shell and center contact.
- MH1000W lamp: BT37/E39
- Lamp included.

ELECTRICAL:

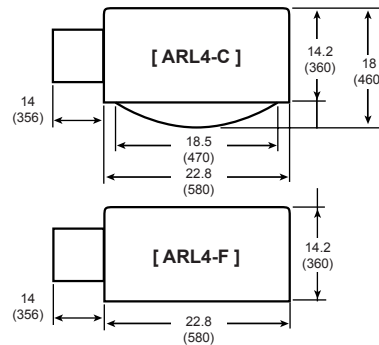
- MH ballasts are standard high power factor ballast with ambient operating temperature of -20°F (-30°C) to 108°F (90°C) 180°C insulation system.
- HPS ballasts are standard high power factor ballast with ambient operating temperature of -40°F (-40°C); 180°C insulation system.

LISTING:

- UL/CUL listed.
- Suitable for wet location.
- ARRA compliant.

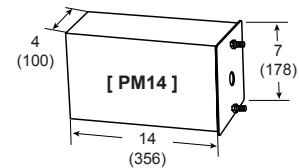
NOTES:

1. Pulse start metal halide available on 250, 400 and 1000W only.
2. Super CWA available on 250, 400 and 1000W only.
3. 10" arm required when two or more luminaires are oriented on a 90° drilling pattern.
4. Must specify voltage.
5. 120V or 277V only.

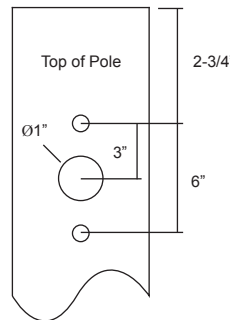


Weights: 70Lbs.

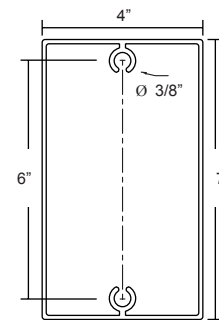
All dimensions are in inches (millimeters).



[Square Pole Mount]



PM DRILLING PATTERN



PM14

ORDERING INFORMATION

EXAMPLE: ARL4-M250PS-T5-QT-BZ

MODEL	LAMP TYPE	BALLAST	DISTRIBUTION
ARL4-F Flat Lens (400W Max.)	M250 250W Metal Halide	(Blank) PS SCWA Standard Pulse Start MH ¹ Super CWA Pulse Start Ballast ²	T3 Type III
	M400 400W Metal Halide		T4 Type IV
	M1000 1000W Metal Halide		T5 Type V
ARL4-C Convex Lens	H250 250W High Pressure Sodium		
	H400 400W High Pressure Sodium		
VOLTAGE	FINISH	MOUNTING	OPTIONS
120 120V 208 208V 240 240V 277 277V 347 347V 480 480V QT 120/208 /240/277V	BZ Dark Bronze (Std.) WH White BK Black Available custom color (RAL) Please provide us with the RAL number.	PM14 14" Long Pole Mount Arm ³ SP Spider Mount	F1 Single Fuse (120, 277 or 347V only) ⁴ F2 Double Fuse (208, 240 or 480V only) ⁴ TLPC1 Twist Lock Receptacle Photocell 120V TLPC2 Twist Lock Receptacle Photocell 277V QR Quartz Restrike System ⁵