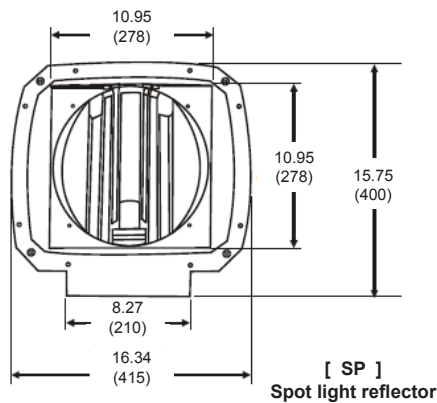


ARW



Specifications: ARW
Height: 9.37 (238)
Width: 16.34 (415)
Length: 15.75 (400)

All dimensions are in inches (millimeters).

APPLICATION

Architectural area lighting, heavy duty die-cast aluminum housing, slim and sweeping-curve design provides low wind resistance. Segmented aluminum design reflector for the best light efficiency. For building, walkways, accent areas and wall mounted applications.

FEATURES:

- Full cut-off dark sky compliant fixtures.
- Precision heavy duty die-cast aluminum housing with integral cooling ribs that dissipate heat and dark bronze polyester powder paint finish standard. Also available in other finish.
- Fully sealed with silicone foam gasket to prevent any leakage from the outside.
- Heat and impact resistant tempered glass lens.
- Designed for either down or up light. Internal louver for direct light.
- Field adjustable and rotatable, spun aluminum reflector, adjustable and rotatable reflector for different photometric lighting output.
- Available spot light beam (SP) and wide flood light beam (WT).
- Complete stainless steel external hardware. Air craft cable for extra safety system.

MOUNTING:

- Quick mount bracket provided for easy installation.

LAMP:

- Horizontally oriented medium base (E26/ED17) porcelain socket with screw shell and center contact.
- Lamp included.

ELECTRICAL:

- MH ballasts are standard high power factor ballast with ambient operating temperature of -20°F (-30°C) to 108°F (90°C); 180°C insulation system.
- HPS ballasts are standard high power factor ballast with ambient operating temperature of -40°F (-40°C); 180°C insulation system.

LISTING:

- UL/CUL listed.
- Suitable for wet location.
- ARRA compliant.

ORDERING INFORMATION

EXAMPLE: ARW-WT-M175-QT-BZ

MODEL		LAMP TYPE			BALLAST	
ARW-SP Spot Light	M50	50W Metal Halide	H50	50 High Pressure Sodium ¹	(Blank) PS SCWA	Standard Pulse Start ² Super CWA Pulse Start Ballast ³
	M70	70W Metal Halide	H70	70 High Pressure Sodium		
	M100	100W Metal Halide	H100	100 High Pressure Sodium		
ARW-WT Wide Flood Light	M150	150W Metal Halide	H150	150 High Pressure Sodium		
	M175	175W Metal Halide				
VOLTAGE		FINISH			OPTIONS	
120	120V	BZ Dark Bronze (Std.) WH White BK Black Available custom color (RAL) Please provide us with the RAL number.			F1 Single Fuse (120, 277 or 347V only) ³ F2 Double Fuse (208, 240 or 480V only) ³ PC1 With Photocell - Button Type 120V PC2 With Photocell - Button Type 277V	
208	208V					
240	240V					
277	277V					
347	347V					
480	480V					
QT	120/208/240/277V					

NOTES:

1. 120V only.
2. Pulse start metal halide available on 70, 100, 150 and 175 only.
3. Super CWA available on 150 and 175 only.
4. Must specify voltage.