



BEFORE YOU BEGIN

Read and follow all safety instructions



WARNING

RISK OF FIRE, EXPLOSION AND ELECTRIC SHOCK

- This product should be installed, inspected, and maintained by a qualified electrician only, in accordance with the NEC (National Electric Code) and all local codes.
- Turn off electrical power before inspection, installation or removal.
- Use only UL (or other NRTL) approved wire for input/output connections.
- Make sure LEDs and drivers are cool to touch when performing maintenance.
Make sure the supply voltage is the same as the rated voltage of the luminaire.
- Do not install in a hazardous atmosphere, except where the ambient temperature does not exceed the rated operating temperature of the fixture.
- Keep tightly closed when in operation



Prepare Electrical Wiring



Electrical Requirements

Must check if the local voltage range is correspond with the working voltage of the fixture. Use min. 75°C supply.



Grounding Instructions

The grounding and bonding of the overall system shall be done in accordance with NEC Article 600 and local codes.



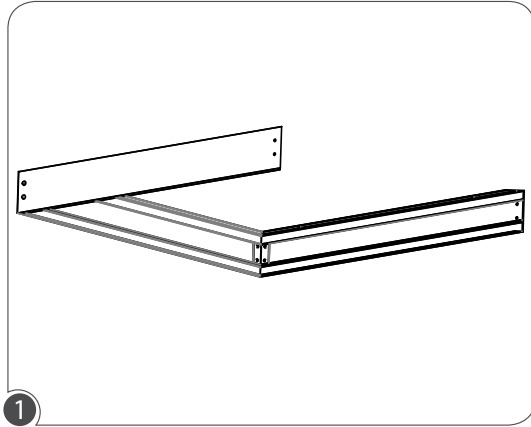
Follow all applicable safety procedures and use Personal Protective Equipment such as hardhats, safety glasses, reflective vest, electrical safety gloves, fall protection equipment and safety toe boots during the installation, operation, and maintenance of the luminaire.



BLOCK-AD

INSTALLATION INSTRUCTIONS

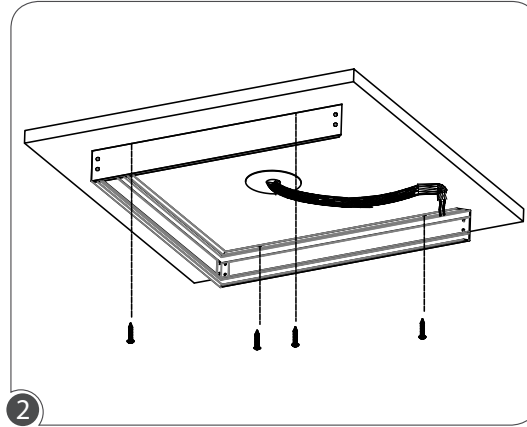
with SMK installation



1

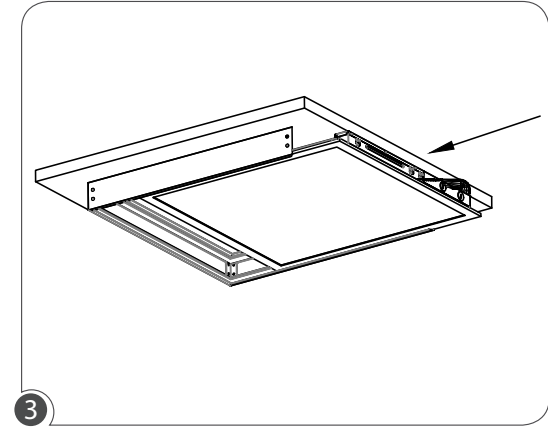
Use the appropriate dimensions and hardware (provided) to assemble 3 sides of SMK frame.

* SMK kit ships separately



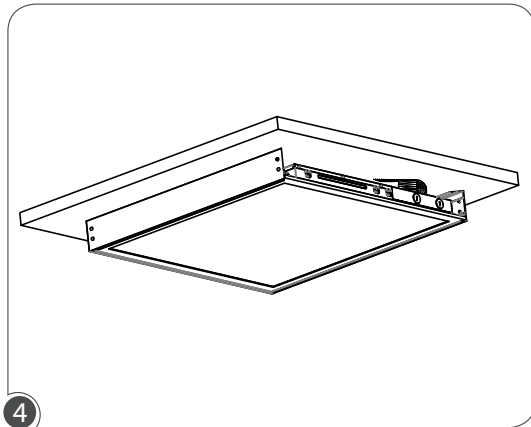
2

Assemble and install 3 sides of SMK frame on the ceiling. Make sure the wires are long enough for step 3.



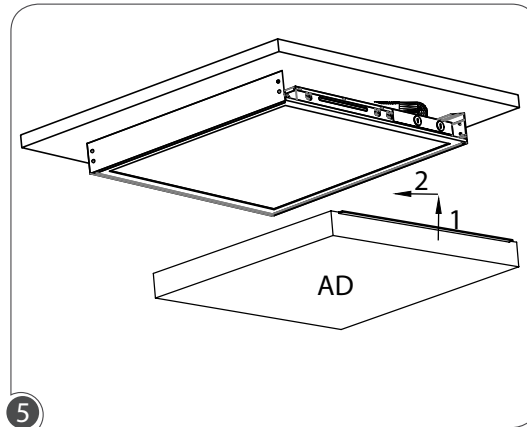
3

Make wire connection and insert the fixture to the frame all the way.



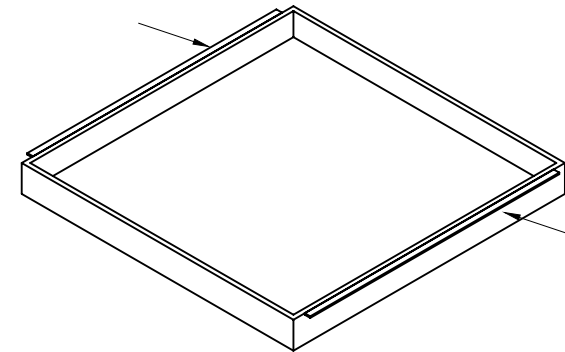
4

Check to see if the fixture sit properly on the inner flanges of the SMK frame.



5

Slide in the **AD** part (Acrylic Drop) underneath the fixture through the SMK frame.



AD (Acrylic Drop) comes with 2 tabs on the side.

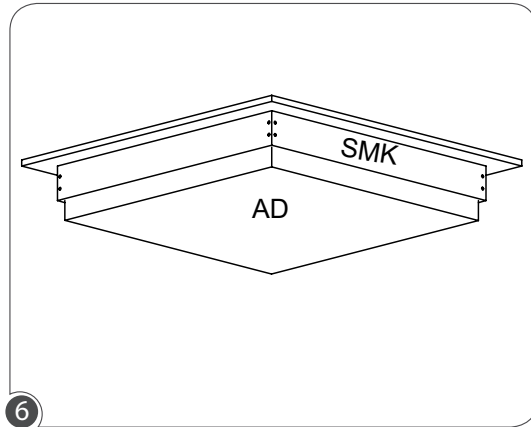
* **AD** ships separately



BLOCK-AD

INSTALLATION INSTRUCTIONS

with SMK installation



Install the last frame of the SMK to complete the installation.
Check all the corners to ensure the alignment as well as proper installation.

