

EXL-RC

DISCONTINUED

Project Name:	
Type:	



APPLICATION

Ideal for commercial where economy, appearance and the ultimate ease of installation and maintenance are desired. Solid-state electronics offer both reliability and low-cost performance. Provides 11W of remote wattage.

FEATURES:

- Thermoplastic LED Exit Sign.
- Innovative snap-together design allows for fast and easy installation.
- Letters 6" height with 3/4" stroke.
- Easily removable snap-out knockouts and chevron directional arrows.
- Single or double face configuration.
- 90+ minute emergency operation.
- Available in white or black housing.

MOUNTING:

- Universal knockout pattern on back plate for wall mount.
- EZ snap mounting canopy included for top or end mount.

ELECTRICAL:

- 120/277V dual voltage operation standard.
- Charge rate/power "ON" LED indicator light and push-to-test switch for mandated code compliance testing.

LAMPS:

- LEDs mounted on print circuit board.
- LED lamps are operating in normal (AC input) and emergency (DC input) modes.
- Offers 11W of remote capability.
- Ultra-bright, energy efficient, long-life Red or Green LEDs with more than 10 year lifecycle.
- LEDs have a minimum rated lamp life of 100,000 hours.

BATTERY:

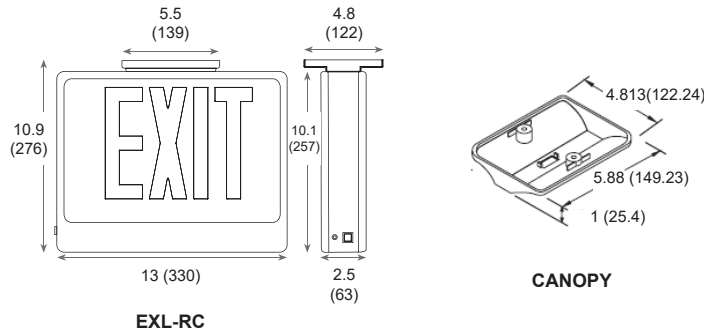
- 4.8V long life, maintenance-free, rechargeable NiCd batter (EM models only).
- RC (remote head): 6V maintenance-free, rechargeable sealed lead acid battery.
- Fully automatic solid-state, two-rate charger initiates battery charging to recharge a discharged battery in 24 hours.
- Internal solid-state transfer switch automatically connects the internal battery to LEDs for minimum 90 minute emergency illumination.
- LVD (Low Voltage Disconnection) prevents battery from deep discharge.

OPTION:

- HTR: Internal heater, Using the optional heater enables the unit to be used in cold environments.
- RC : Remote Capable of 11W, remote head not included.
- CUS : Signs available with requested "special" wording.

LISTING:

- 5 years limited warranty on materials and all electronics. Battery pro-rated for two years.
- LED lamps are 25 years limited warranty.
- UL listed for damp locations & meets UL924, National Electrical Code, NFPA 70 and the Life Safety Code, NFPA 101.



All dimensions are in inches (millimeters).

ORDERING INFORMATION

EXAMPLE: EXL-RC-R-1-WH-SDT

MODEL	# OF FACE	LETTER	OPERATION	HOUSING COLOR	OPTIONS
EXL-RC (Remote Capable)	(Blank) Universal Single/ Double Face	R Red G Green	1 Battery Back up	WH White Face/ White Housing BK Black Face/ Black Housing	WG-1 Steel Wire Guard (13.5" x 15" x 6") BG-1 Polycarbonate Vandal Shield Guard (15" x 22" x 8") HTR Internal Heater CUS Custom Wording