

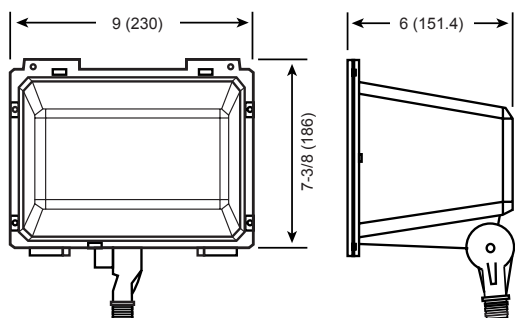
FLC1

DISCONTINUED



APPLICATION

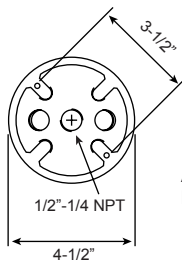
Building facades, landscape lighting, sign lighting, display and other general applications where floodlighting may come into use. As well as general safety and security lighting.



Specifications: FLC1

Height: 7-3/8 (186)
 Width: 9 (230)
 Depth: 6 (151.4)

All dimensions are in inches (millimeters).



ASSEMBLY PARTS :
 Mount Base - Round Bell Cover

FEATURES:

- Die-cast aluminum housing, electrical components are mounted for maximum heat dissipation.
- Housing is dark bronze polyester powder paint finish standard. Also available in white, black and custom color finish.
- Silicone rubber gasket between backplate and front cover for wet locations.
- Anodized aluminum reflector with high efficiency, heat and impact resistant tempered clear glass lens.

MOUNTING:

- Provided with a standard heavy-duty 1/2" adjustable slip fitter mount for both ground and wall mount.

LAMP:

- HPS lamp, MH lamp use a medium base porcelain socket with screw shell and center contact.
- Compact fluorescent lamps have 4-pin socket type (GX24).
- Lamp included.

ELECTRICAL:

- MH ballasts are standard high power factor ballast with ambient operating temperature of -20°F (-30°C) to 108°F (90°C); 180°C insulation system.
- HPS ballasts are standard high power factor ballast with ambient operating temperature of -40°F (-40°C); 180°C insulation system.
- Compact fluorescent lamps use a multi-voltage (120-277V) electronic, high power factor ballast with operating temperature of -20°F (-30°C)

LISTING:

- UL/CUL listed.
- Suitable for wet location.
- ARRA compliant (optional).

ORDERING INFORMATION

EXAMPLE: FLC1-M100-120-BZ

MODEL		LAMP TYPE			
FLC1	M50	50W Metal Halide	H50	50W High Pressure Sodium ¹	142T (1) CF42 TRT, 4-Pin
	M70	70W Metal Halide	H70	70W High Pressure Sodium	
	M100	100W Metal Halide	H100	100W High Pressure Sodium	
			H150	150W High Pressure Sodium	
VOLTAGE		FINISH		OPTIONS	
120	120V	BZ	Dark Bronze (Std.)	F1	Single Fuse (120, 277 or 347V only) ³
208	208V	WH	White	F2	Double Fuse (208, 240 or 480V only) ³
240	240V	BK	Black	PC1	With Photocell - Button Type 120V
277	277V		Available custom color (RAL) Please provide us with the RAL number.	PC2	With Photocell - Button Type 277V
QT	120/208/240/277V			RB-03	Mount Base - Round Bell Cover
UNV	120-277V ²			ARRA	Assembled in USA for Buy American Act

NOTES:

1. 120V only.
2. Multi-voltage ballast for compact fluorescent (120-277V).
3. Must specify voltage.