

FLC3

DISCONTINUED



APPLICATION

Building facades, back yard lighting, sign lighting, display and other general applications where floodlighting may come into use. As well as general safety and security lighting.



FEATURES:

- Heavy duty die-cast aluminum housing and door frame. Housing is dark bronze polyester powder paint finish standard. Also available in white, black and custom color finish.
- Medium spot distributions.
- Silicone rubber gasket between backplate and front cover for wet locations.
- Anodized aluminum reflector with high efficiency, heat and impact resistant tempered clear glass lens.

MOUNTING:

- Provided with a standard heavy-duty 1/2" adjustable slip fitter mount for both ground and wall mount.

LAMP:

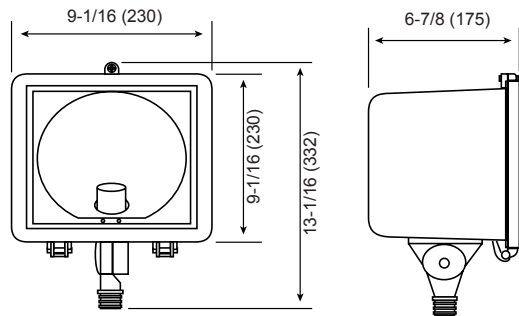
- HPS lamp, MH lamp use a medium base (E26/ED17) porcelain socket with screw shell and center contact.
- Lamp included.

ELECTRICAL:

- MH ballasts are standard high power factor ballast with ambient operating temperature of -20°F (-30°C) to 108°F (90°C); 180°C insulation system.
- HPS ballasts are standard high power factor ballast with ambient operating temperature of -40°F (-40°C); 180°C insulation system.

LISTING:

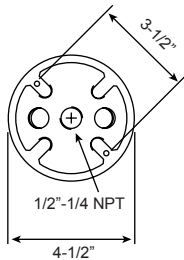
- UL/CUL listed.
- Suitable for wet location.
- ARRA compliant (optional).



Specifications: FLC3

Height: 13-1/16 (332)
Width: 9-1/16 (230)
Depth: 6-7/8 (175)

All dimensions are in inches (millimeters).



ASSEMBLY PARTS :
Mount Base - Round Bell Cover

ORDERING INFORMATION

EXAMPLE: FLC3-M100-120-BZ

MODEL		LAMP TYPE			BALLAST	
FLC3	M70	70W Metal Halide	H70	70W High Pressure Sodium	(Blank) PS SCWA	Standard
	M100	100W Metal Halide	H100	100W High Pressure Sodium		Pulse Start MH ¹
	M150	150W Metal Halide	H150	150W High Pressure Sodium		Super CWA
	M175	175W Metal Halide				Pulse Start Ballast ²
VOLTAGE		FINISH			OPTIONS	
120	120V	BZ Dark Bronze (Std.) WH White BK Black Available custom color (RAL) Please provide us with the RAL number.	F1 Single Fuse (120, 277 or 347V only) ³ F2 Double Fuse (208, 240 or 480V only) ³ PC1 With Photocell - Button Type 120V PC2 With Photocell - Button Type 277V WG Steel Wire Guard for FLC2 VS Visor Cuttoff Shield for FLC2 RB-03 Mount Base - Round Bell Cover ARRA Assembled in USA for Buy American Act	F1 Single Fuse (120, 277 or 347V only) ³ F2 Double Fuse (208, 240 or 480V only) ³ PC1 With Photocell - Button Type 120V PC2 With Photocell - Button Type 277V WG Steel Wire Guard for FLC2 VS Visor Cuttoff Shield for FLC2 RB-03 Mount Base - Round Bell Cover ARRA Assembled in USA for Buy American Act	F1 Single Fuse (120, 277 or 347V only) ³ F2 Double Fuse (208, 240 or 480V only) ³ PC1 With Photocell - Button Type 120V PC2 With Photocell - Button Type 277V WG Steel Wire Guard for FLC2 VS Visor Cuttoff Shield for FLC2 RB-03 Mount Base - Round Bell Cover ARRA Assembled in USA for Buy American Act	F1 Single Fuse (120, 277 or 347V only) ³ F2 Double Fuse (208, 240 or 480V only) ³ PC1 With Photocell - Button Type 120V PC2 With Photocell - Button Type 277V WG Steel Wire Guard for FLC2 VS Visor Cuttoff Shield for FLC2 RB-03 Mount Base - Round Bell Cover ARRA Assembled in USA for Buy American Act
208	208V					
240	240V					
277	277V					
QT	120/208/240/277V					

NOTES:
1. Pulse start metal halide available on 70, 100, 150 and 175W only.
2. Super CWA available on 100, 150 and 175W only.
3. Must specify voltage.