



APPLICATION

Building facades, back yard lighting, sign lighting, display and other general applications where floodlighting may come into use. As well as general safety and security lighting.

FEATURES:

- Heavy duty die-cast aluminum housing and door frame. Housing is dark bronze polyester powder paint finish standard. Also available in white, black and custom color finish.
- Silicone rubber gasket between backplate and front cover for wet locations.
- Anodized aluminum reflector with high efficiency, heat and impact resistant tempered clear glass lens.

MOUNTING:

- Provided with a standard heavy-duty 1/2" adjustable slip fitter mount for both ground and wall mount.

LAMP:

- HPS 150W maximum, MH 175W maximum use a medium base (E26/ED17) porcelain socket with screw shell and center contact.
- Compact fluorescent lamps have 4-pin socket type (GX24).
- Lamp included.

ELECTRICAL:

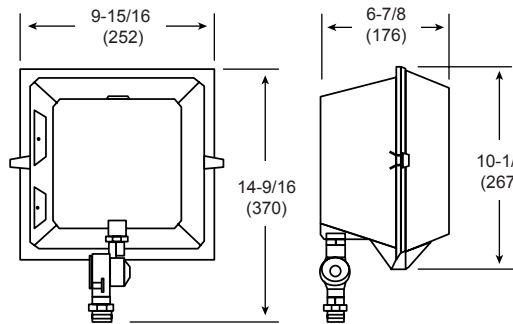
- MH ballasts are standard high power factor ballast with ambient operating temperature of -20°F (-30°C) to 108°F (90°C); 180°C insulation system.
- HPS ballasts are standard high power factor ballast with ambient operating temperature of -40°F (-40°C); 180°C insulation system.
- Compact fluorescent lamps use a multi-voltage (120-277V) electronic, high power factor ballast with operating temperature of -20°F (-30°C)

LISTING:

- UL/CUL listed.
- Suitable for wet location.
- ARRA compliant (optional).

DISCONTINUED

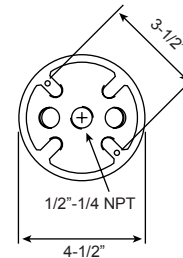
FLC5



Specifications: FLC5

Height: 10-9/16 (370)
Width: 9-15/16 (252)
Depth: 6-7/8 (176)

All dimensions are in inches (millimeters).



ASSEMBLY PARTS :
Mount Base - Round Bell Cover

ORDERING INFORMATION

EXAMPLE: FLC5-M150-QT-BZ

MODEL		LAMP TYPE				BALLAST	
FLC5	M70	70W Metal Halide	H70	70W High Pressure Sodium	(Blank) PS SCWA	Standard Pulse Start MH ¹ Super CWA Pulse Start Ballast ²	
	M100	100W Metal Halide	H100	100W High Pressure Sodium			
	M150	150W Metal Halide	H150	150W High Pressure Sodium			
	M175	175W Metal Halide	226	(2) CF26 TRT, 4-Pin			
			232	(2) CF32 TRT, 4-Pin			
		242	(2) CF42 TRT, 4-Pin				
VOLTAGE		FINISH		OPTIONS			
120	120V	BZ	Dark Bronze (Std.)	F1	Single Fuse (120, 277 or 347V only) ⁴		
208	208V	WH	White	F2	Double Fuse (208, 240 or 480V only) ⁴		
240	240V	BK	Black	PC1	With Photocell - Button Type 120V		
277	277V		Available custom color (RAL) Please provide us with the RAL number.	PC2	With Photocell - Button Type 277V		
QT	120/208/240/277V			RB-03	Mount Base - Round Bell Cover		
UNV	120-277V ³			ARRA	Assembled in USA for Buy American Act		

NOTES:

1. Pulse start metal halide available on 70, 100, 150 and 175W only.
2. Super CWA available on 100, 150 and 175W only.
3. Multi-voltage ballast for compact fluorescent (120-277V).
4. Must specify voltage.