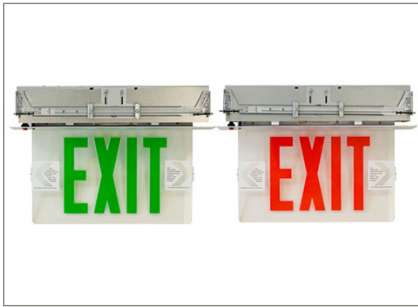


REL

| | |
|---------------|--|
| Project Name: | |
| Type: | |



APPLICATION

Ideal for commercial where economy, appearance and the ultimate ease of installation and maintenance are desired. LED compact and recessed decorative design Edge-Lite exit sign series utilizes a unique illumination design in an architecturally aluminum housing.

FEATURES:

- Premium-grade, extruded aluminum housing.
- Extruded aluminum trim assembly is easily detachable from below, providing accessibility for service or maintenance.
- Self-adhesive Chevron appliques and guide template provided for directional indication.
- Available in black or white powder-coated finishes.

MOUNTING:

- Compatible with drywall or drop ceiling mount installations. Bar hangers included.
- Wall mount capability optional.

ELECTRICAL:

- 120V/277V dual voltage operation standard.
- Optional multi-tap 208/220/240 voltage available.

LAMPS:

- 3 Watts LED at 120V, LED lamps are operating in normal (AC input) and emergency (DC input) modes.
- Ultra-bright, energy efficient, long-life Red or Green LEDs with more than 10 year lifecycle.
- LEDs have a minimum rated lamp life of 100,000 hours.

BATTERY:

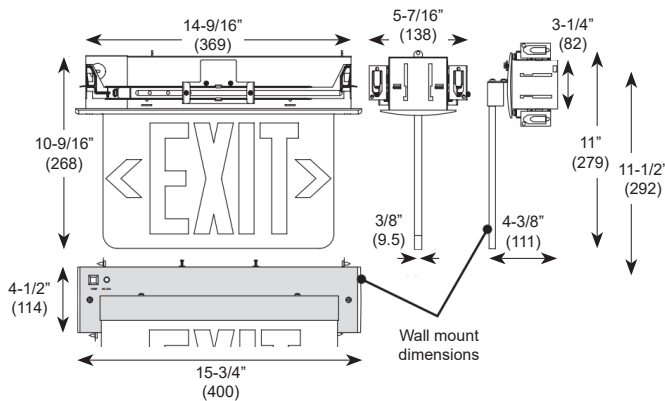
- Maintenance-free and rechargeable Ni-Cad battery on emergency (EM) units.
- Fully automatic solid-state, two-rate charger initiates battery charging to recharge a discharged battery in 24 hours.
- Internal solid-state transfer switch automatically connects the internal battery to LEDs for minimum 90minute emergency illumination.
- Charge rate/power "ON" LED indicator light and push-to-test switch for mandated code compliance testing.

OPTION:

- SDT: Self-diagnostic testing, continually diagnoses unit's performance and test system (Self-diagnostic testing for 30-second discharge once every 30-days and 30-minutes every six months) to ensure reliable operation and to meet electrical and life safety code.
- 2C: Dual circuit option on the AC-only unit enables it to be connected to two different (one acting as a back-up to the other) supplies at the same time.
- SW: Signs available with requested custom 'special' wording.
- SPV: UL Listed for special voltage option.
- WM: Allows for the unit to be wall recessed mounted.

LISTING:

- 5 years limited warranty on materials and all electronics. Battery pro rated for five years.
- ARRA compliant (optional).
- UL Listed for damp locations (0°C ~ 50°C).
- UL924, NFPA 101 Life Safety Code, NEC, OSHA, Local and State Codes.
- Certified to CEC under Title 20 Regulations.
- NFPA 70 compliant.



Wall mount option

REL

ORDERING INFORMATION

EXAMPLE: REL-S-R-1-AL

| MODEL | # OF FACE | LETTER | OPERATION | PANEL | HOUSING COLOR |
|------------|------------------------------------|--------------------------------|--|--|---|
| REL | S Single D Double | R Red G Green | (Blank) AC-only 1 Battery Back up 2-120V 2-Circuit Operation with 120V input ⁶ 2-277V 2-Circuit Operation with 277V input ⁶ | (Blank) Clear ¹ M Mirror ² W White ² | AL Aluminum Trim WH White Trim BK Black Trim |

| OPTIONS | |
|-------------|---|
| SDT | Self Diagnostics ³ |
| SW | Special Wording Sign |
| ARRA | Assembled in USA for ARRA and BAA compliant |
| SPV | 208/220/240 Volt, 50/60Hz ⁴ |
| WM | Wall Mount ⁵ |

NOTE:

1. Clear panel for single face only.
2. Double face for mirror or white mylar background panel.
3. Available only with EM units.
4. Not available with SDT.
5. With Single face only.
6. Dual-circuit units are NOT capable of working with TWO LIVE supplies at the same time. Though they can be connected to TWO supplies, the SECONDARY supply should come ON only when the PRIMARY is OUT. If the units are connected to TWO supplies that are LIVE at the same time, then the boards will be burnt out. In such an instance UTOPIA cannot be held responsible.