



DISCONTINUED

APPLICATION

Ideal for sports fields, parking areas, industrial yards and other general applications where floodlighting may come into use.



* Yoke mount is optional

FEATURES:

- Heavy duty die-cast aluminum ballast housing with powder coated.
- Ballast housing with horizontal degree aiming scale and repositioning.
- Die-cast socket housing with vertical adjustment, degree aiming scale and repositioning.
- Comes with anodized aluminum reflectors.
- Silicone rubber included to prevent any leakage from the outside.
- Heat and impact resistant tempered glass lens.

MOUNTING:

- Integral cross arm mounting. (optional)
- The die-cast ballast housing has to be mounted on the flat surface, direct to cross arm mounting bolt provided.

LAMP:

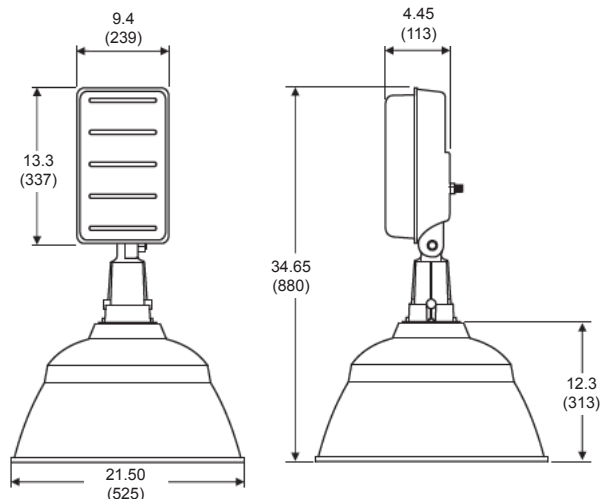
- Up to HPS 1000W, MH 1500W.
- Uses a mogul base (E39), 4KV, UL approved porcelain socket with screw shell and center contact.
- Lamps are included.

ELECTRICAL:

- MH ballasts are standard high power factor ballast with ambient operating temperature of -20°F (-30°C) to 108°F (90°C); 180°C insulation system.
- HPS ballasts are standard high power factor ballast with ambient operating temperature of -40°F (-40°C); 180°C insulation system.

LISTING:

- UL/CUL listed.
- Suitable for wet location.
- ARRA compliant (optional).



All dimensions are in inches (millimeters).

ORDERING INFORMATION

EXAMPLE: SPL-M1000-QT

MODEL	LAMP TYPE	BALLAST	VOLTAGE
SPL	M1000	1000W Metal Halide	120 120V
	M1500	1500W Metal Halide	208 208V
	H1000	1000W High Pressure Sodium	240 240V
		277 277V	347 347V
		480 480V	QT 120/208 /240/277V
BALLAST BOX		OPTIONS	
(Blank)	Dark Bronze	F1	Single Fuse (120, 277 or 347V only) ³
		F2	Double Fuse (208, 240 or 480V only) ³
		PC1	With Photocell - Button Type 120V
		PC2	With Photocell - Button Type 277V
		C3-16/3	3ft. of 16-3 cord pre-wired
		C6-16/3	6ft. of 16-3 cord pre-wired
		CP3	3ft. of 16-3 cord pre-wired with plug for use with pre-wired cages and cross arms
		VS	Visor Shield

NOTE:
 1. Pulse start metal halide available on 400 and 1000W only.
 2. Super CWA available on 400 and 1000W only.
 3. Must specify voltage.