



BEFORE YOU BEGIN

Read and follow all safety instructions



WARNING

RISK OF FIRE, EXPLOSION AND ELECTRIC SHOCK

- This product should be installed, inspected, and maintained by a qualified electrician only, in accordance with the NEC (National Electric Code) and all local codes.
- Turn off electrical power before inspection, installation or removal.
- Use only UL (or other NRTL) approved wire for input/output connections.
- Make sure LEDs and drivers are cool to touch when performing maintenance.
Make sure the supply voltage is the same as the rated voltage of the luminaire.
- Do not install in a hazardous atmosphere, except where the ambient temperature does not exceed the rated operating temperature of the fixture.
- Keep tightly closed when in operation



Prepare Electrical Wiring



Electrical Requirements

Must check if the local voltage range is correspond with the working voltage of the fixture. Use min. 75°C supply.



Grounding Instructions

The grounding and bonding of the overall system shall be done in accordance with NEC Article 600 and local codes.



Follow all applicable safety procedures and use Personal Protective Equipment such as hardhats, safety glasses, reflective vest, electrical safety gloves, fall protection equipment and safety toe boots during the installation, operation, and maintenance of the luminaire.



T-Bar Installation

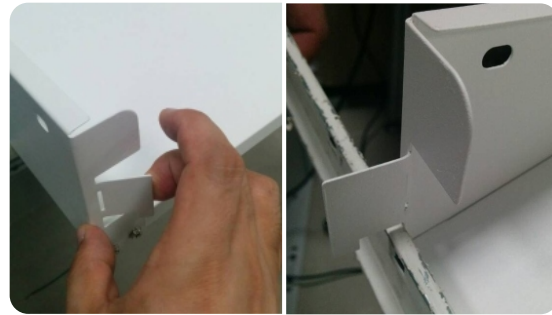
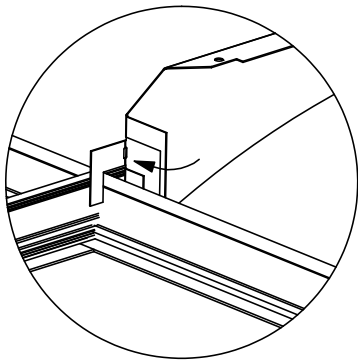


FIG.1

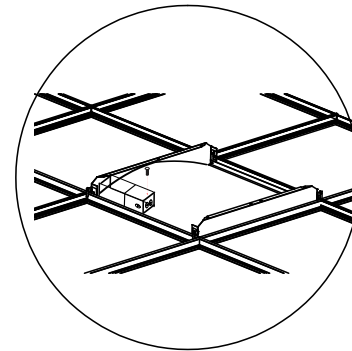


FIG.2

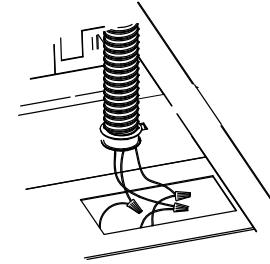


FIG.3

1. Insert the fixture onto T-Bar Grid.
2. Bend out T-Bar mounting tab to 90° on each corner and position the fixture on the T-grid [Fig.1].
3. Unscrew and open the driver box and make wire connections using one of the knockouts [Fig.2].
4. Close the driver box [Fig.3].

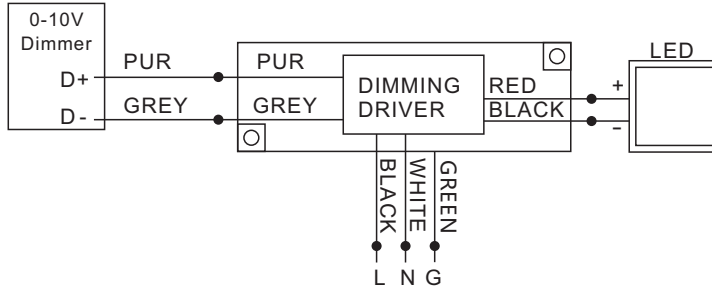


TTL LED

INSTALLATION INSTRUCTIONS

Wiring Diagram

WIRING DIAGRAM



WATTAGE ADJUSTABLE

2X2 FIXTURE PERFORMANCE								
ON	OFF	OFF	OFF	ON	ON	ON	OFF	OFF
1	2	3	1	2	3	1	2	3
Output Current: 1000mA			Output Current: 890mA			Output Current: 760mA		
Power: 40W			Power: 35W			Power: 30W		

2X4 FIXTURE PERFORMANCE								
ON	ON	ON	OFF	ON	ON	OFF	OFF	ON
1	2	3	1	2	3	1	2	3
Output Current: 1100mA			Output Current: 890mA			Output Current: 680mA		
Power: 50W			Power: 40W			Power: 30W		

