

TTL LED

Project Name:	
Type:	



APPLICATION

The TTL LED luminaire designed with a unique yet simple transparent optics offer minimalist design to support broad range of solutions with superior optical and energy performance. Built with field adjustable wattage and color temperature to suit varies applications including commercial, educational and healthcare environments, general office, and retails.

MOUNTING:

- Recessed mount.

LED:

- High quality array LEDs.
- Color Rendering Index: >80
- Field adjustable color temperature: 3000/3500/4000(K)
- Field adjustable wattage: 30/35/40W for 2x2, 30/40/50W for 2x4
- L70 >50,000 hrs

FINISH:

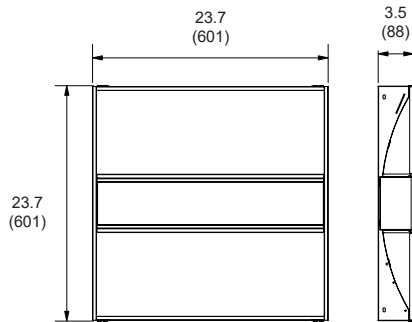
- White finish.
- PAF (Painted After Fabrication) finish is standard for corrosion resistance and efficiency.

ELECTRICAL:

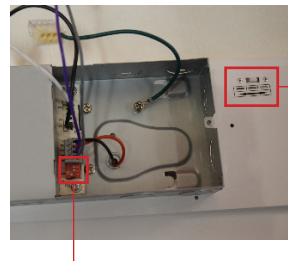
- 0-10V dimming.
- 120-277V, 50/60Hz
- Power Factor: >0.90
- THD: <20%

LISTING:

- UL listed.
- DLC listed.
- Suitable for damp location.
- 5 years warranty.



All dimensions are in inches (millimeters).



Field Adjustable CCT

Adjustable Power

CONFIGURATIONS

Series	Size	Model #	AC Input	Lumen Output (30/35/40K)	Lumen Efficiency (30/35/40K)	UGR
TTL LED	2x2	L30/35/40	30/35/40W	3000 lm, 3500 lm, 4000 lm	100 lm/W	19.1
	2x4	L30/40/50	30/40/50W	3000 lm, 4000 lm, 5000 lm		17.4

ORDERING INFORMATION

EXAMPLE: TTL-24-L30/40/50-30/35/40K-UNV

MODEL	LENGTH	LED		COLOR TEMP.		VOLTAGE		MOUNTING	
TTL	22 2' x 2'	L30/35/40	30/35/40W LED	-30/35/40K	Selectable 30/35/40K	UNV	120-277V	(Blank)	Recessed
	24 2' x 4'	L30/40/50	30/40/50W LED						

PRESET		OPTIONS		LIGHTING CONTROL SYSTEM	
(Blank) PS	Non-Preset Preset Request <small>* Factory default setting: 22-L40-35K, 24-L50-35K</small>	REM8 REM15 REM25 TK	Remote EM 1296 LUMEN Remote EM 2430 LUMEN Remote EM 4050 LUMEN T-Bar Installation Kit for Rem	PPA102S	<Bluetooth> Bluetooth Powerpack (Consult factory for installation location)

TTL LED

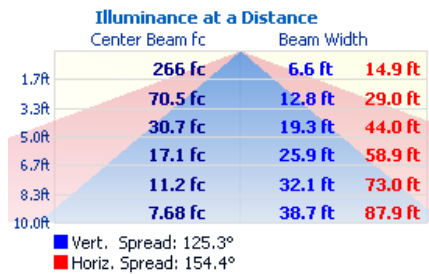


TK

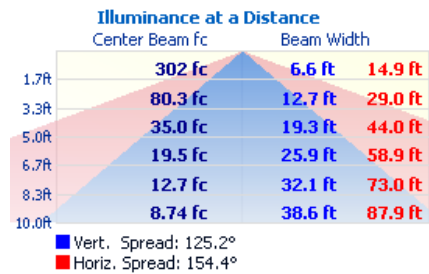
COMPATIBLE DIMMER SWITCH

Model #	Brand	Compatible Dimmer Switch	
(Blank)	-	<Lutron>	Diva DDTV

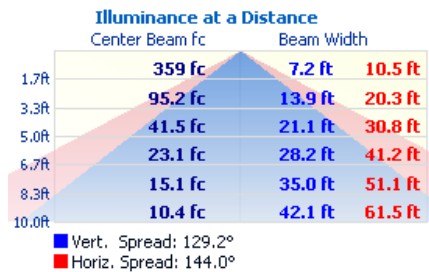
TTL-22-L30



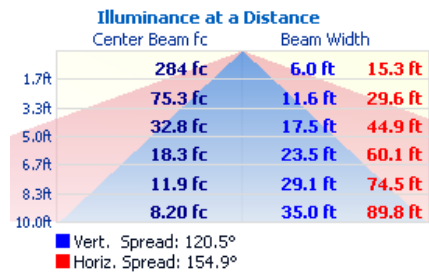
TTL-22-L35



TTL-22-L40



TTL-24-L30



TTL-24-L40

