

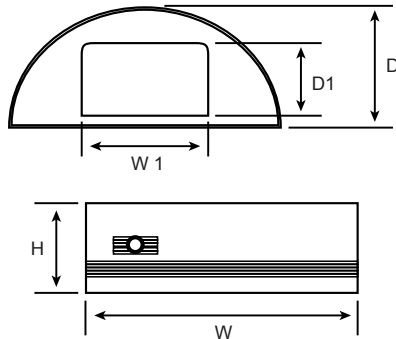
# UDL3

Discontinued - limited stock available



### APPLICATION

The compact half moon wall sconce, full cut-off, up/down light. Ideal for walkways, building exterior walls, parking areas, entrances, underpasses and loading docks. Wall mounting height requires between 8 feet and 15 feet below.



**Specifications: UDL3**

Height: 4-3/4 ( 121)  
 Width: 14-9/16 (370)  
 Depth: 7-1/4 (185)  
 Window D1: 4-3/4 (121)  
 Window W1: 6-11/16 (170)

All dimensions are in inches (millimeters).

### FEATURES:

- Die-cast aluminum back plate, High impact polycarbonate housing (radius) on which electrical components are mounted for maximum heat dissipation.
- Silicone rubber gasket between backplate and front cover for wet locations.
- Architectural dark bronze color finish standard. Also available in black and white finish.
- One piece high reflectance aluminum reflector design for desired light efficiency, provide up and down light (50/50). Up or down light only.
- Available with compact fluorescent lamp.
- Optional photocell must specify voltage.

### MOUNTING:

- Wall mounting only.
- Easily installed on recessed junction boxes or direct mounts to the wall with feed thru conduit access.

### REFLECTOR & COVER:

- High efficiency anodized aluminum reflector with wide beam spread.
- Heat and impact resistant tempered clear glass lens.

### LAMP:

- HID lamps have medium base (E26) porcelain socket with screw shell and center contact. UL certified socket.
- Compact fluorescent lamps have 4-pin socket.
- Lamp included.

### LED

- Osram LED system.

### ELECTRICAL:

- MH ballasts are standard high power factor ballast with ambient operating temperature of -20°F (-30°C) to 108°F (90°C); 180°C insulation system.
- HPS ballasts are standard high power factor ballast with ambient operating temperature of -40°F (-40°C); 180°C insulation system.
- Compact fluorescent uses a high power factor electronic ballast, multi-voltage (120-277V), sound rate A, thermoplastic sockets.

### LISTING:

- UL/CUL listed.
- Suitable for wet location.
- ARRA compliant (optional).

### ORDERING INFORMATION

EXAMPLE: UDL3-M100-U/D-120-BZ

MODEL		LAMP TYPE			DISTRIBUTION	
UDL3	M50	50W Metal Halide	126T	(1) CF26 TRT, 4-Pin	U/D	Up and Down light
	M70	70W Metal Halide	132T	(1) CF32 TRT, 4-Pin	DW	Down light
	M100	100W Metal Halide <sup>1</sup>	142T	(1) CF42 TRT, 4-Pin	UP	Up light
	H50	50W High Pressure Sodium <sup>1</sup>	21SLED	21W LED		
	H70	70W High Pressure Sodium	28SLED	28W LED		
	H100	100W High Pressure Sodium <sup>1</sup>				
VOLTAGE		FINISH		OPTIONS		
120	120V	BZ	Dark Bronze (Std.)	F1	Single Fuse (120, 277 or 347V only) <sup>3</sup>	
208	208V	WH	White	F2	Double Fuse (208, 240 or 480V only) <sup>3</sup>	
240	240V	BK	Black	PC1	With Photocell - Button Type 120V	
277	277V			PC2	With Photocell - Button Type 277V	
QT	120/208/240/277V		Available custom color (RAL) Please provide us with the RAL number.	TL	Textured lens	
UNV	120-277V <sup>2</sup>			ARRA	Assembled in USA for Buy American Act	

NOTES:

1. 120V only.
2. Multi-voltage ballast for compact fluorescent (120-277V).
3. Must specify voltage.