



UDL6

Discontinued - limited stock available

APPLICATION

The architectural rectangle shape compact wall sconce, full cut-off, up/down light. Ideal for walkways, building exterior walls, parking areas, entrances, underpasses and loading docks. Wall mounting height requires between 8 feet and 15 feet below.

FEATURES:

- Die-cast aluminum back plate, High impact polycarbonate housing (radius) on which electrical components are mounted for maximum heat dissipation.
- Silicone rubber gasket between backplate and front cover to prevent leakage from the outside.
- Architectural dark bronze color finish standard. Optional black, and white finish.
- One piece high reflectance aluminum reflector designed for desired light efficiency, provide up and down light (50/50), or up light or down light only.
- Available with compact fluorescent lamp.
- Optional photocell for dusk to dawn.

MOUNTING:

- Wall mounting only.
- Easily installed on recessed junction boxes or direct mounts to the wall with feed thru conduit access.

REFLECTOR & COVER:

- High efficiency anodized aluminum reflector with wide beam spread.
- Heat and impact resistant tempered clear glass lens.

LAMP:

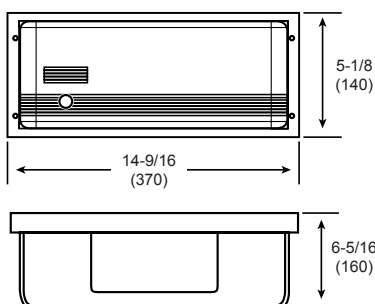
- HID lamps have medium base (E26) porcelain socket with screw shell and center contact. UL certified socket.
- Compact fluorescent lamps have 4-pin socket.
- Lamp included.

ELECTRICAL:

- MH ballasts are standard high power factor ballast with ambient operating temperature of -20°F (-30°C) to 108°F (90°C); 180°C insulation system.
- HPS ballasts are standard high power factor ballast with ambient operating temperature of -40°F (-40°C); 180°C insulation system.
- Compact fluorescent uses a high power factor electronic ballast, multi-voltage (120-277V), sound rate A, thermoplastic sockets.

LISTING:

- UL/CUL listed.
- Suitable for wet location.
- ARRA compliant (optional).



Specifications: UDL6

Height: 5-1/8 (140)
 Width: 14-9/16 (370)
 Depth: 6-5/16 (160)
 Window W: 6-11/16 (170)
 Window H: 4-3/4 (121)

All dimensions are in inches (millimeters).

ORDERING INFORMATION

EXAMPLE: UDL6-M100-U/D-120-BZ

| MODEL | | LAMP TYPE | | | DISTRIBUTION | |
|---------|-----------------------|----------------------------------------|------------------------------------------------------------------------|---------------------|--------------|--------------------------------------------------|
| UDL6 | M50 | 50W Metal Halide | 126T | (1) CF26 TRT, 4-Pin | U/D | Up and Down light (Std.) |
| | M70 | 70W Metal Halide | 132T | (1) CF32 TRT, 4-Pin | DW | Down light |
| | M100 | 100W Metal Halide ¹ | 142T | (1) CF42 TRT, 4-Pin | UP | Up light |
| | H50 | 50W High Pressure Sodium ¹ | | | | |
| | H70 | 70W High Pressure Sodium | | | | |
| | H100 | 100W High Pressure Sodium ¹ | | | | |
| VOLTAGE | | FINISH | | | OPTIONS | |
| 120 | 120V | BZ | Dark Bronze (Std.) | | F1 | Single Fuse (120, 277 or 347V only) ³ |
| 208 | 208V | WH | White | | F2 | Double Fuse (208, 240 or 480V only) ³ |
| 240 | 240V | BK | Black | | PC1 | With Photocell - Button Type 120V |
| 277 | 277V | | Available custom color (RAL) Please provide us with the RAL number. | | PC2 | With Photocell - Button Type 277V |
| QT | 120/208/240/277V | | | | ARRA | Assembled in USA for Buy American Act |
| UNV | 120-277V ² | | | | | |

NOTES:

1. 120V only.
2. Multi-voltage ballast for compact fluorescent (120-277V).
3. Must specify voltage.